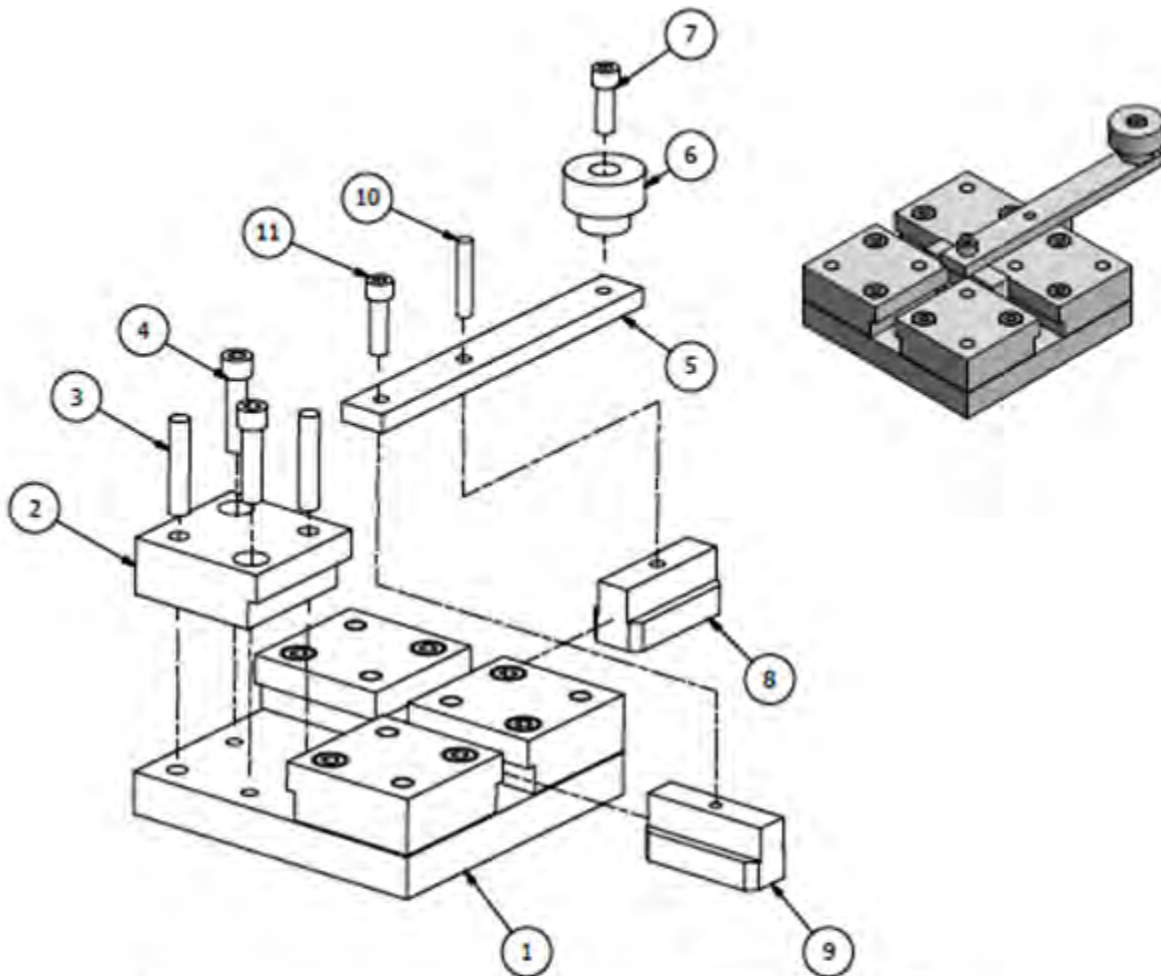




Autodesk Inventor 2013 Training Series Module 9: Toy Assembly

Utilize Autodesk Inventor 2013 software and the individual part files created in training modules four through eight to create a 3D model assembly of the Toy illustrated below. Save the completed assembly file in your **PLTWInventor2013PD** folder as **Toy**.

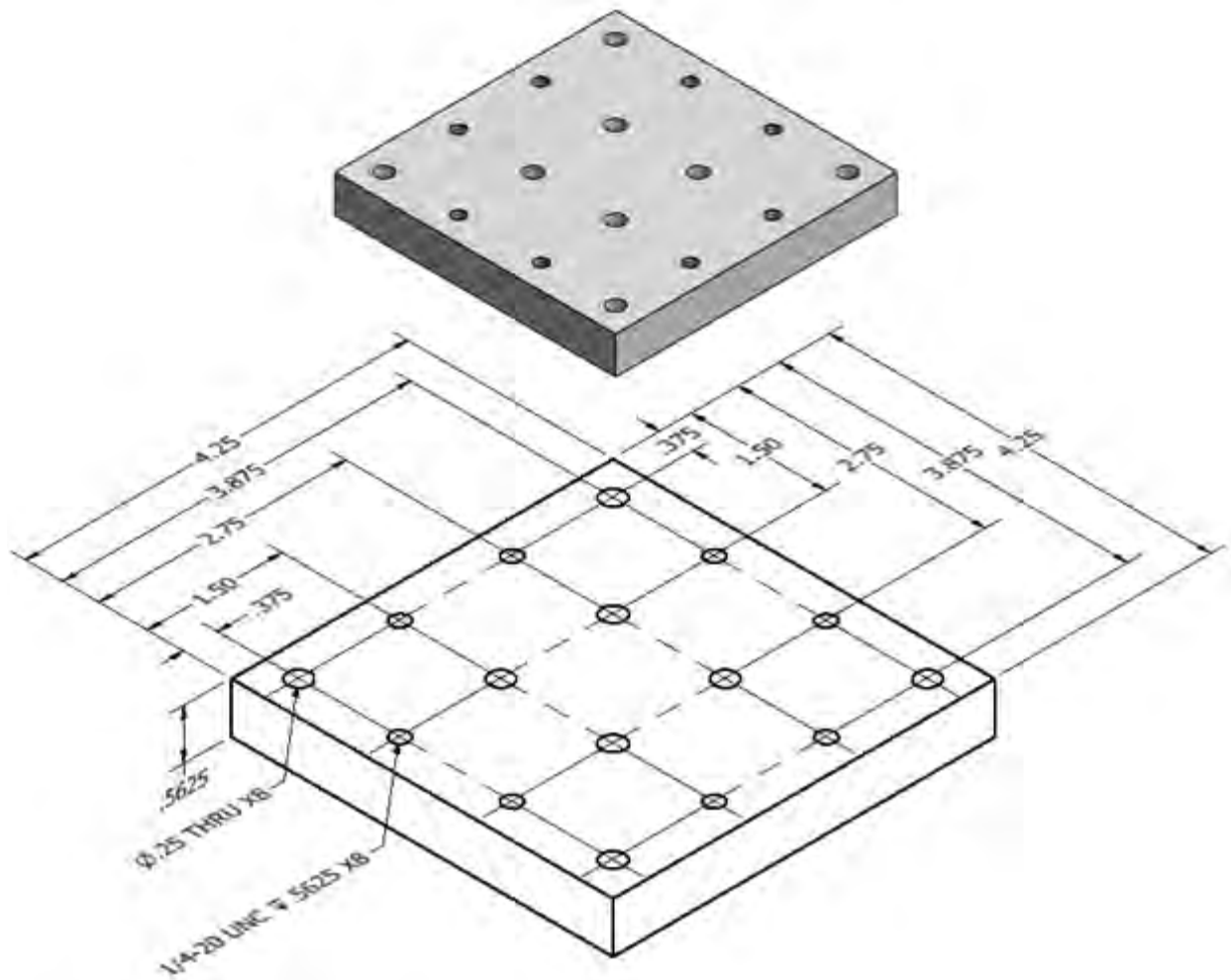


PARTS LIST			
ITEM	QTY	PART NUMBER	MATERIAL
1	1	BASE PLATE	Aluminum 6051
2	4	CORNER GUIDE BLOCK	Aluminum 6051
3	8	BASE PIN	Steel
4	8	BASE SOCKET HEAD CAP SCREW	Steel
5	1	CRANK ARM	Copper, Alloy
6	1	CRANK KNOB	ABS Plastic
7	1	KNOB SOCKET HEAD CAP SCREW	Steel
8	1	SLIDE BLOCK	Nylon 6/6
9	1	SLIDE BLOCK THREADED	Nylon 6/6
10	1	ARM PIN	Steel
11	1	ARM SOCKET HEAD CAP SCREW	Steel



Autodesk Inventor 2013 Training Series Module 8: Base Plate

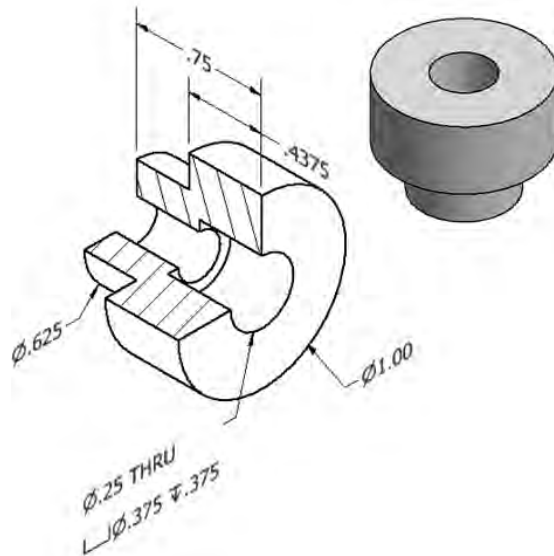
Utilize Autodesk Inventor 2013 software to create a 3D part model of the Base Plate illustrated below. Save the completed part file in your *PLTWInventor2013PD* folder as **BasePlate**.



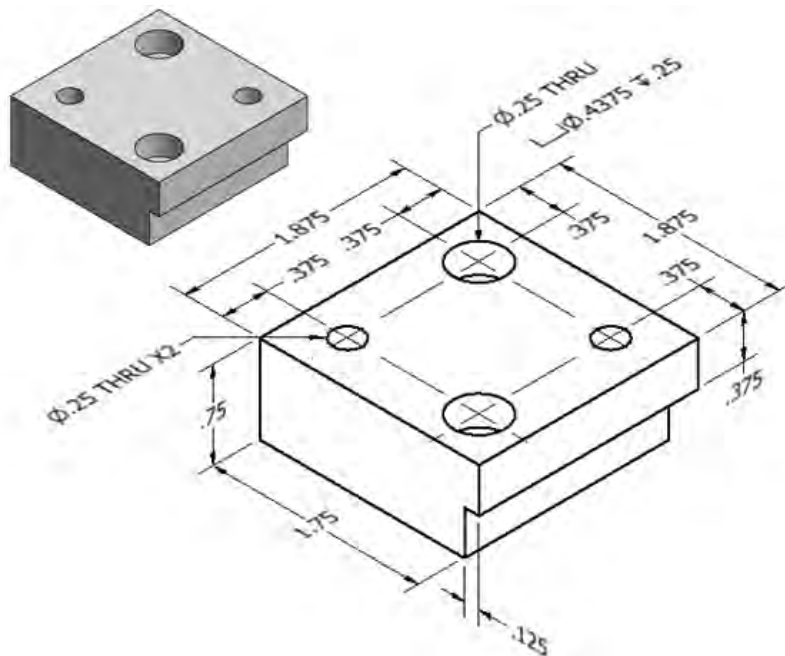


Autodesk Inventor 2013 Training Series Module 7: Crank Knob and Corner Guide Block

Utilize Autodesk Inventor 2013 software to create a 3D part model of the Crank Knob and Corner Guide Block illustrated below. Save the completed part files in your *PLTWInventor2013PD* folder as **CrankKnob** and **CornerGuideBlock**.



Crank Knob

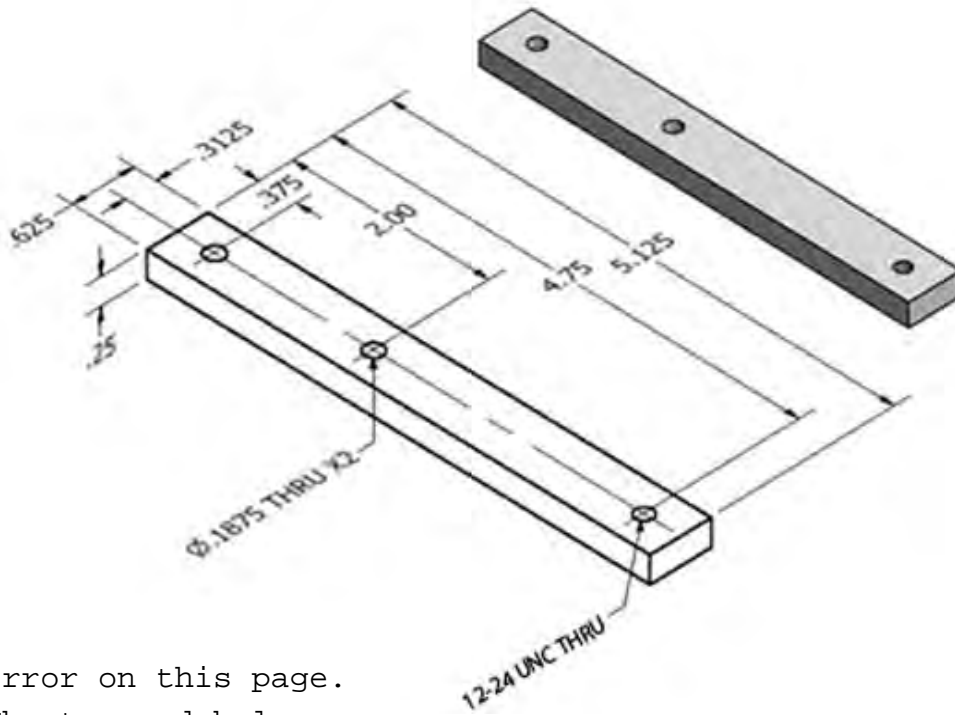


Corner Guide Block



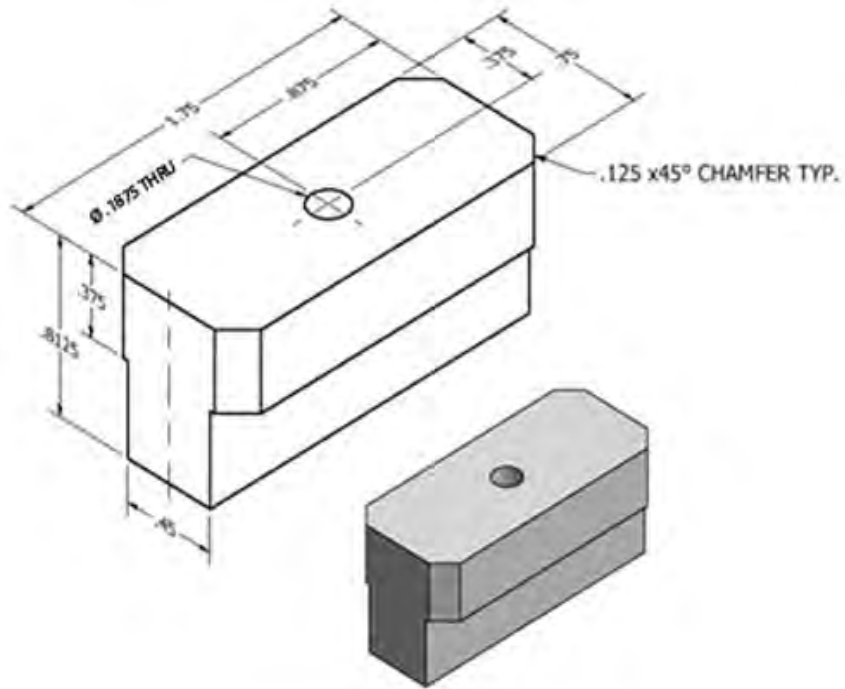
Autodesk Inventor 2013 Training Series Module 6: Crank Arm and Slides

Utilize Autodesk Inventor 2013 software to create a 3D part model of the Crank Arm, Slide Block, and Slide Block Threaded illustrated below. Save the completed part file in your *PLTWInventor2013PD* folder as **CrankArm**, **SlideBlock**, and **SlideBlockThreaded**.

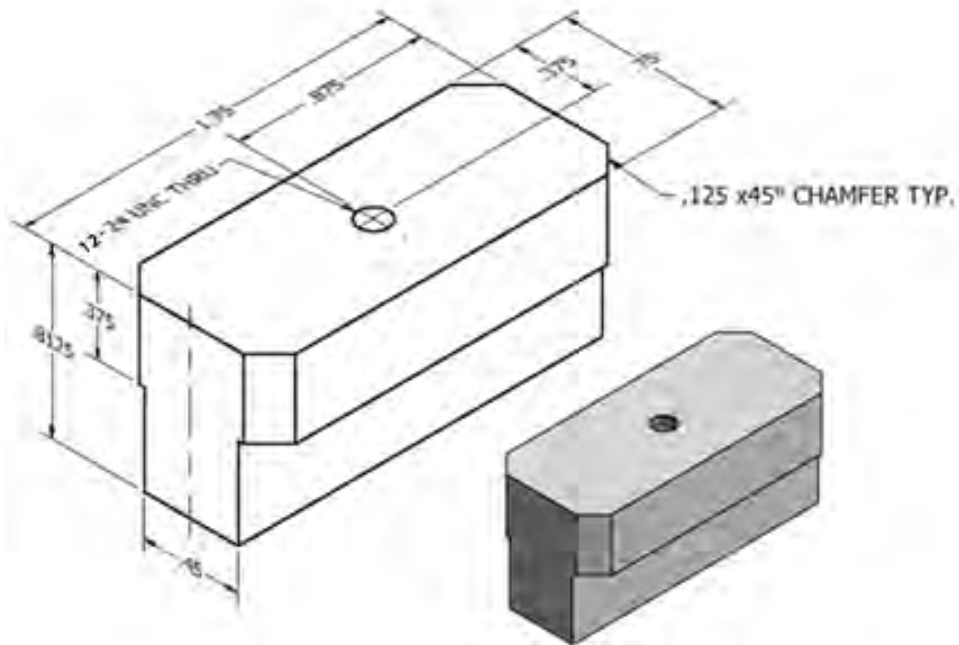


Error on this page.
The two end holes are threaded 12-24 UNC.
The center hole is .1875 thru.

Crank Arm



Slide Block

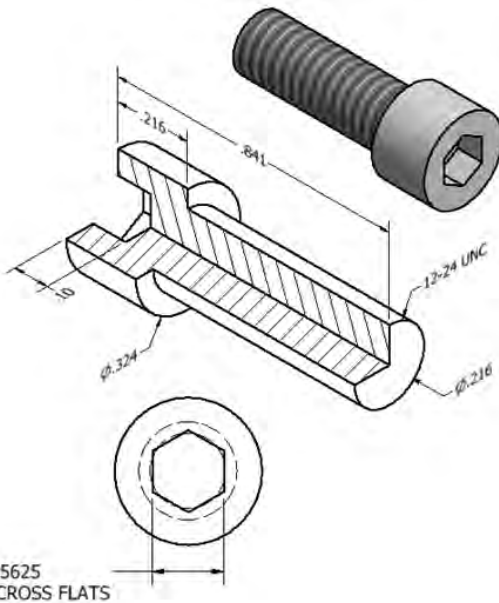


Slide Block Threaded

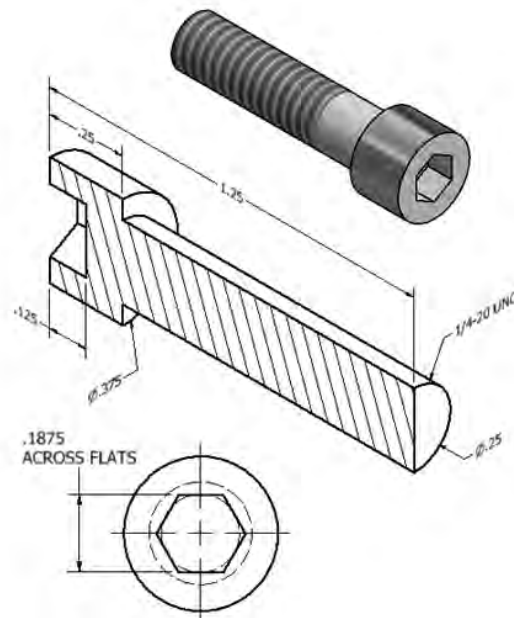


Autodesk Inventor 2013 Training Series Module 5: Socket Head Cap Screws

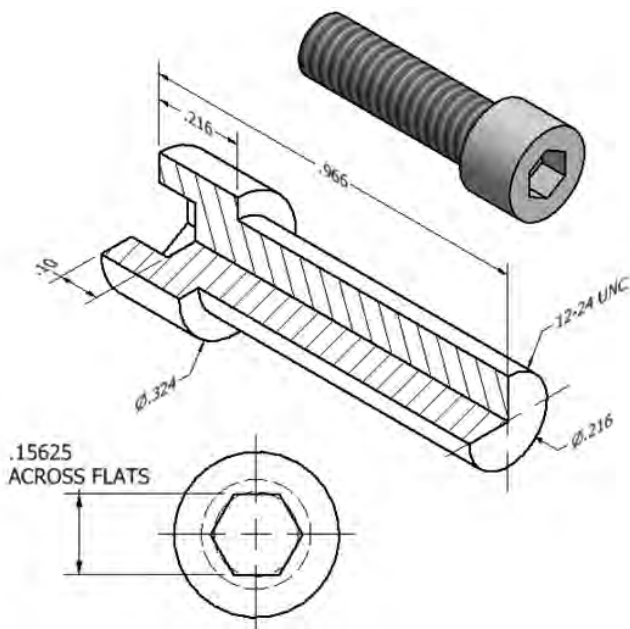
Utilize Autodesk Inventor 2013 software to create a 3D part model of the Socket Head Cap Screws illustrated below. Save the completed part file in your **PLTWInventor2013PD** folder as **BaseSocketHeadCapScrew**, **ArmSocketHeadCapScrew**, and **KnobSocketHeadCapScrew**.



KNOB SOCKET HEAD CAP SCREW



BASE SOCKET HEAD CAP SCREW

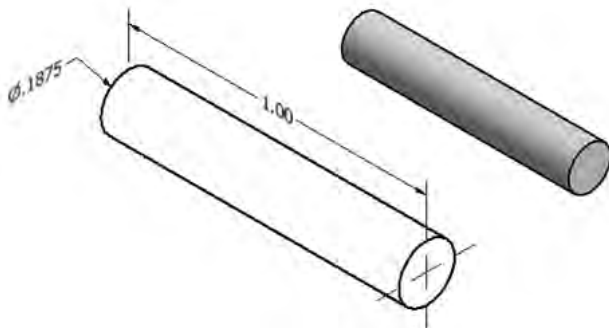


ARM SOCKET HEAD CAP SCREW

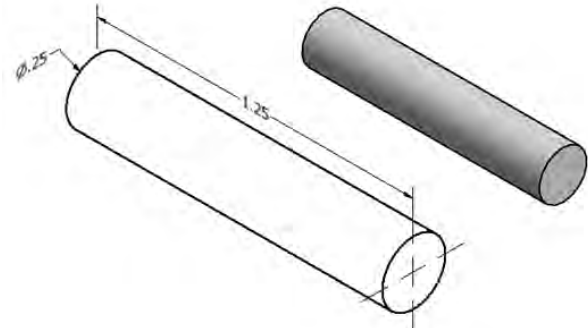


Autodesk Inventor 2013 Training Series Module 4: Base and Arm Pin

Utilize Autodesk Inventor 2013 software to create a 3D part model of the Arm Pin and Base Pin illustrated below. Save the completed part file in your *PLTWInventor2013PD* folder as **BasePin** and **ArmPin**.



ARM PIN



BASE PIN