

# Shaped Hexagon



Playing games is an integral part of every person's life. The game is very important for growing up the child, because children fully concentrate to it, they have a great joy during the play and their approach to the game is free and spontaneous.

During the play, a child often uses some toy, which should fulfill a certain standards. It should be easy to use, have visual and aesthetic quality, be properly adjusted for the child's hand, have vivid colors and its construction should be easily understandable. In addition to that, every toy should be firm and well shaped, so the child could not hurt itself. Glues and paints should be stable, without smell and above all harmless substances. Toys designed for the younger kids should be larger and simpler, because small children have limited skills of toy manipulation. The composite toys are suitable for the older children. The most important quality of toy for any child's age is its well-planned function.

This is the plan for manufacturing a simple educative toy Shaped Hexagon for your child. The whole structure can be made at home for a relatively short time. You can use various types of wood, but we recommend birch, beech, maple or alder.

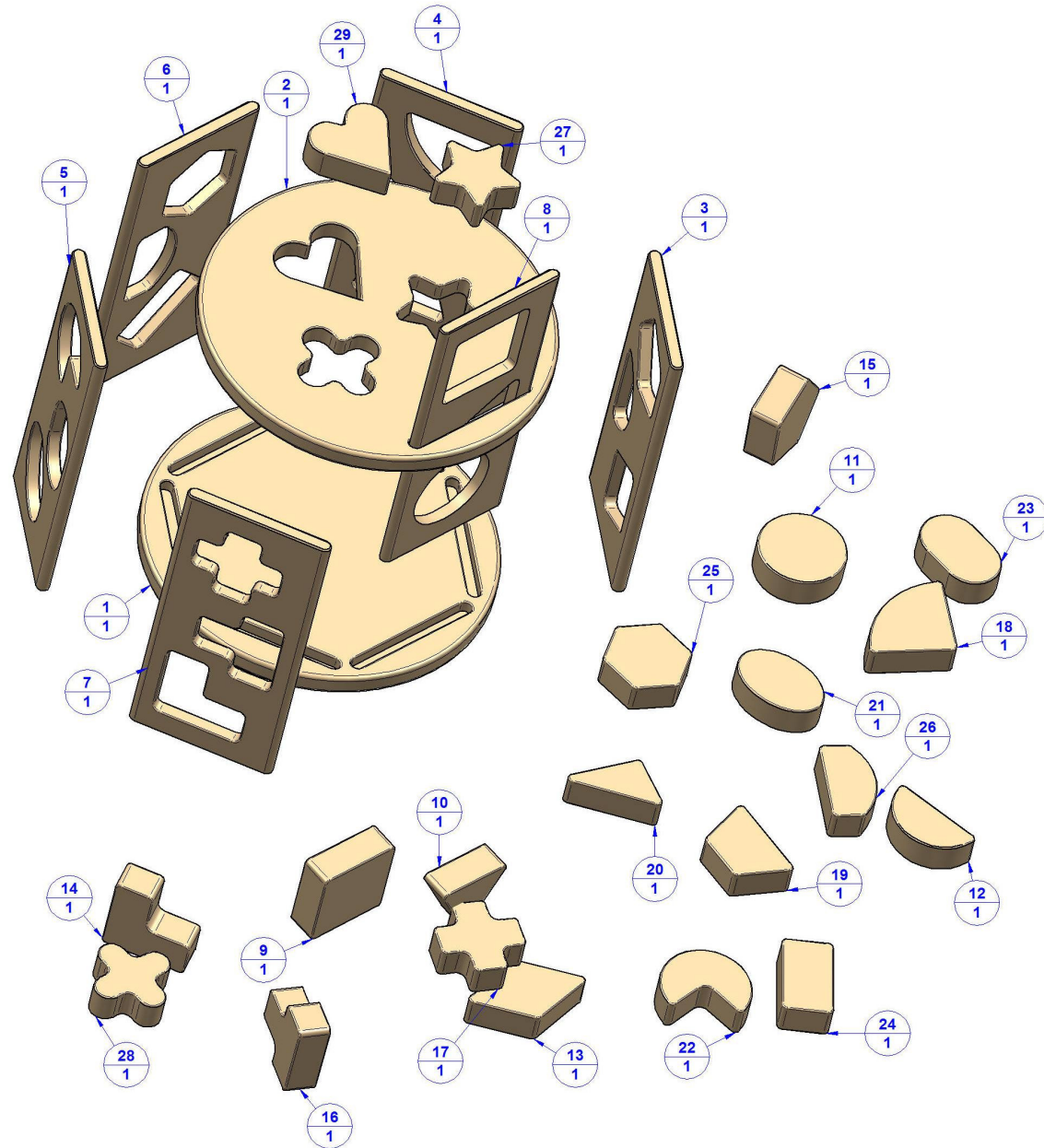
If you choose to protect the surface of your project with wood paint or lacquer, be careful to use only substances that are safe and harmless for your child.

Carefully make all the parts of the toy by the measurements given on particular pictures.

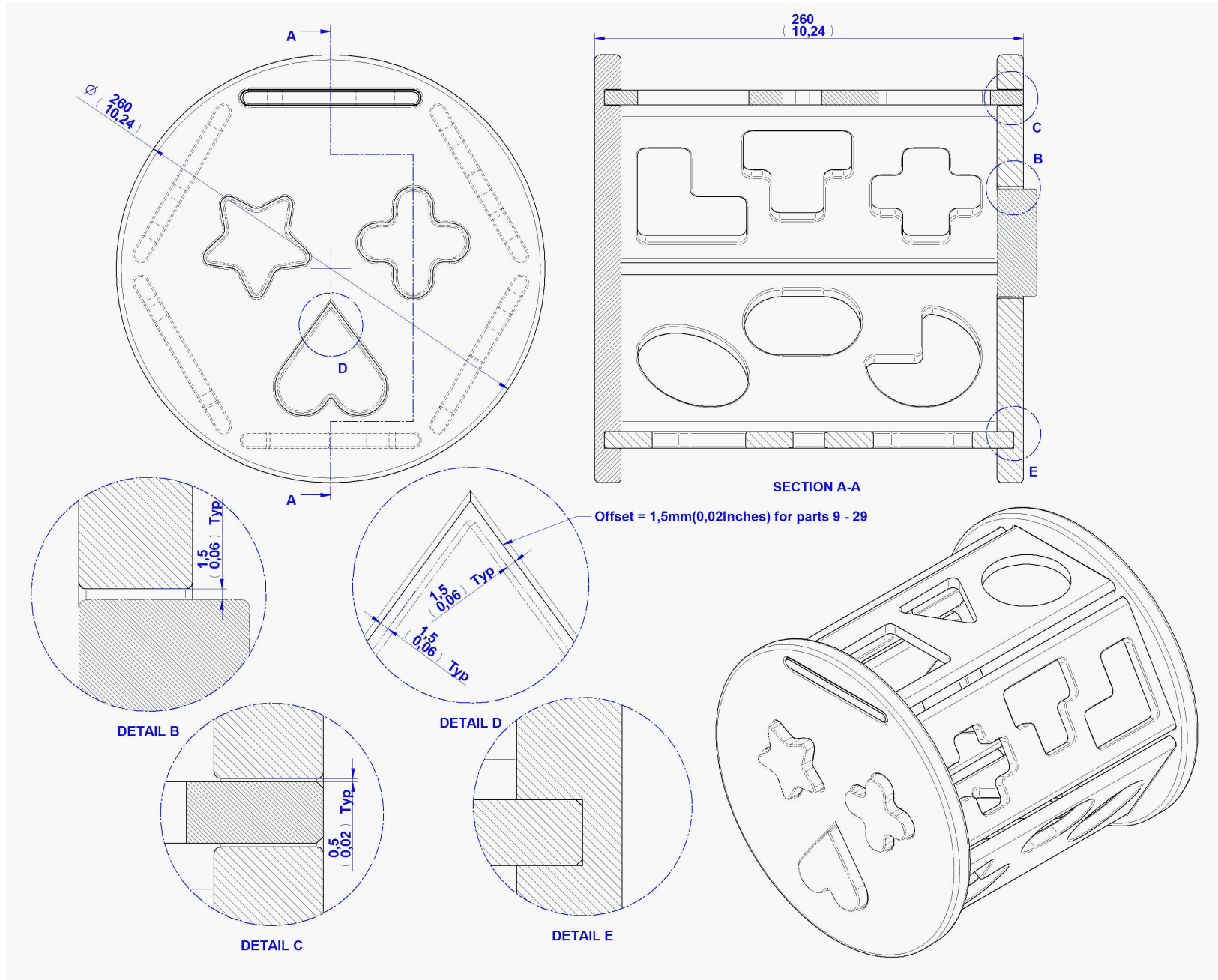
Note: The measurements are given in millimeters, while the measurements given in inches are in brackets (1 inch = 25,4 mm).

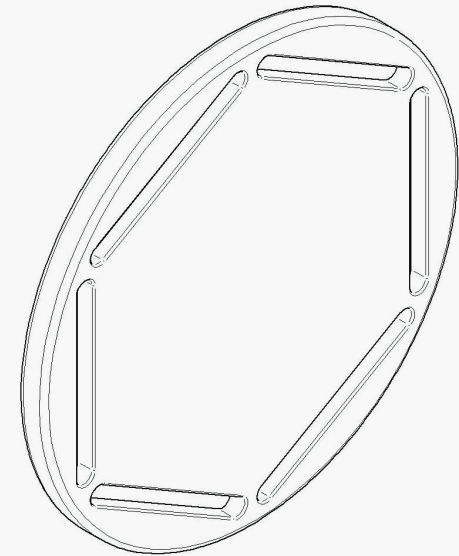
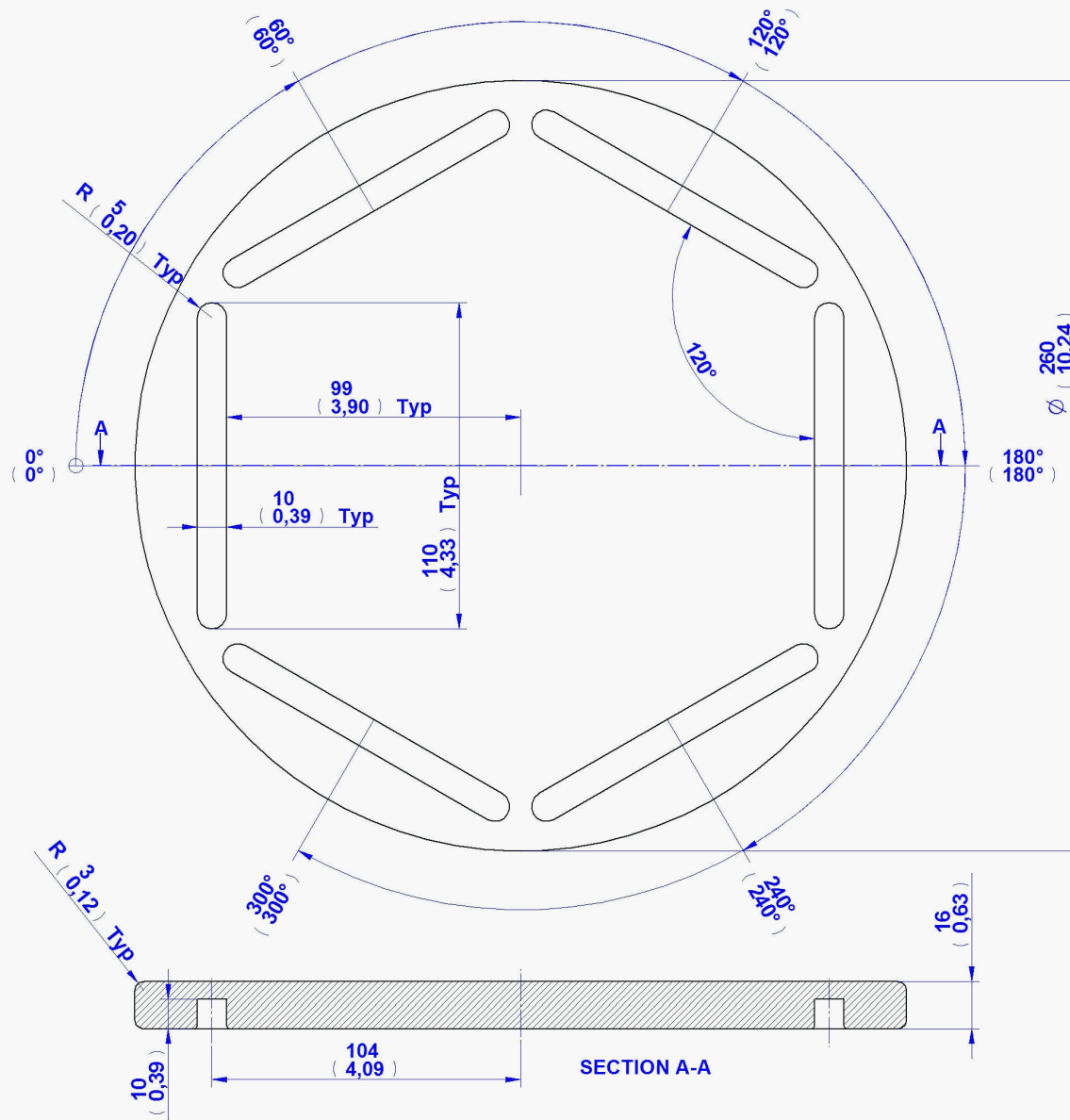
# PARTS LIST

Item Number	Title	Material	Quantity
1	Base	Wood	1
2	Top	Wood	1
3	Side 1	Wood	1
4	Side 2	Wood	1
5	Side 3	Wood	1
6	Side 4	Wood	1
7	Side 5	Wood	1
8	Side 6	Wood	1
9	Square	Wood	1
10	Triangle	Wood	1
11	Circle	Wood	1
12	Semicircle	Wood	1
13	Romboid	Wood	1
14	L	Wood	1
15	Pentagon	Wood	1
16	T	Wood	1
17	Cross	Wood	1
18	Arc	Wood	1
19	Trapezoid	Wood	1
20	Triangle Square	Wood	1
21	Ellipse	Wood	1
22	Packman	Wood	1
23	Rounded Rectangle	Wood	1
24	Rectangle	Wood	1
25	Hexagon	Wood	1
26	Convex	Wood	1
27	Star	Wood	1
28	Rounded Cross	Wood	1
29	Heart	Wood	1

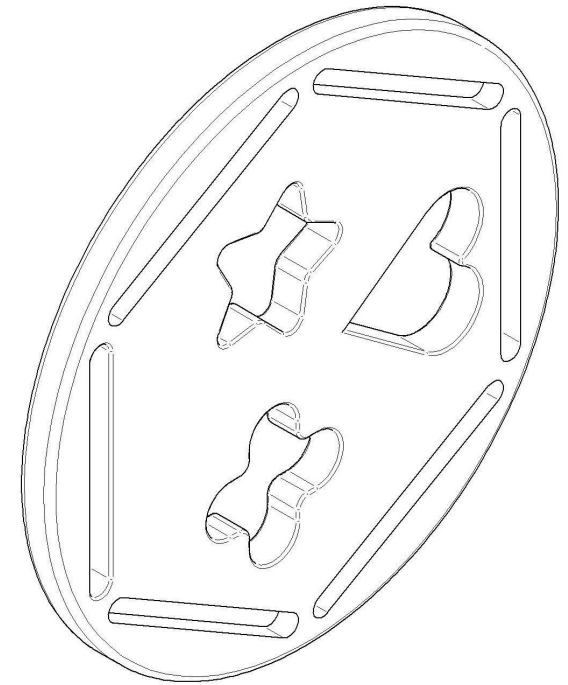
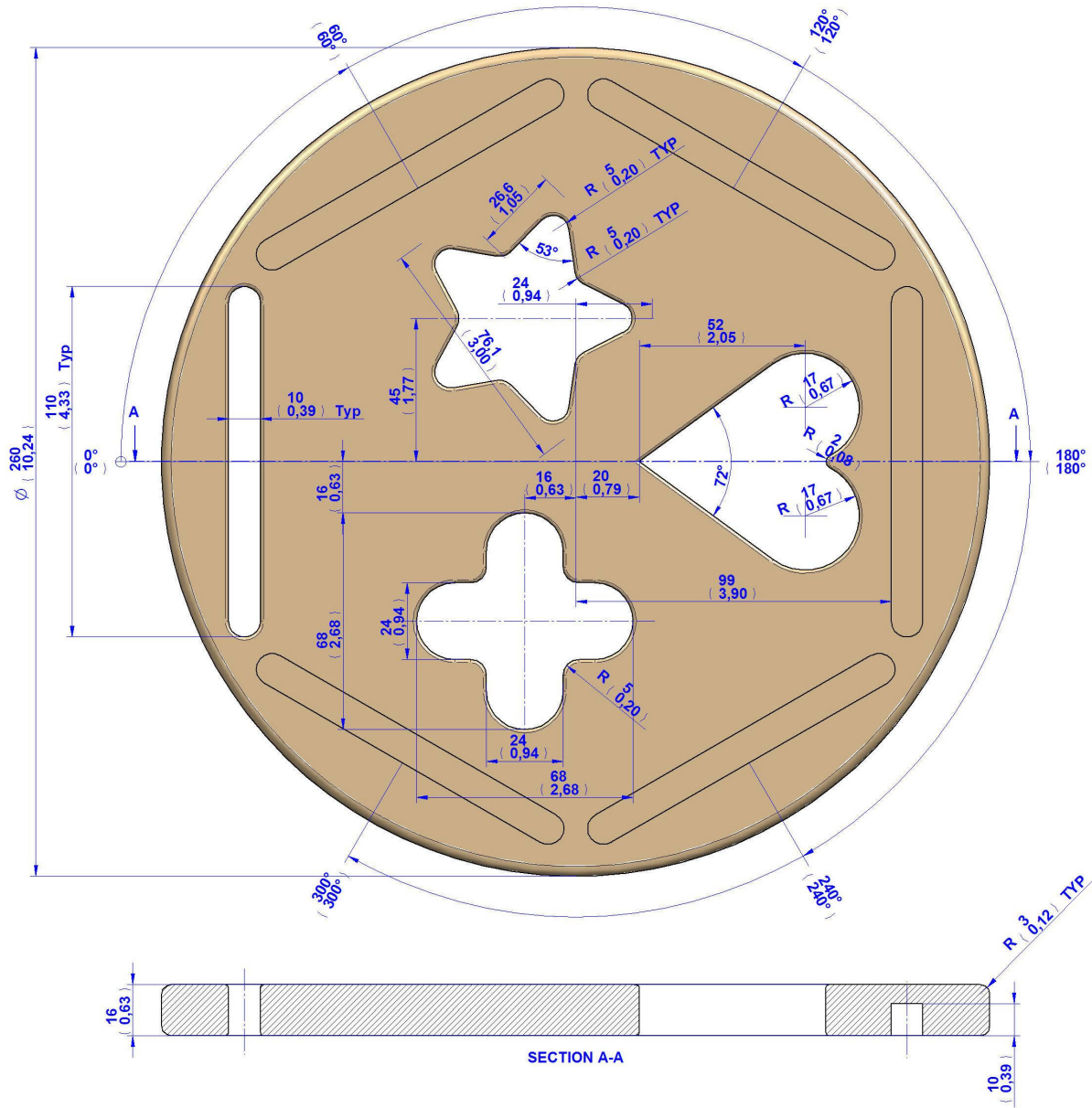


# 2D Documentation

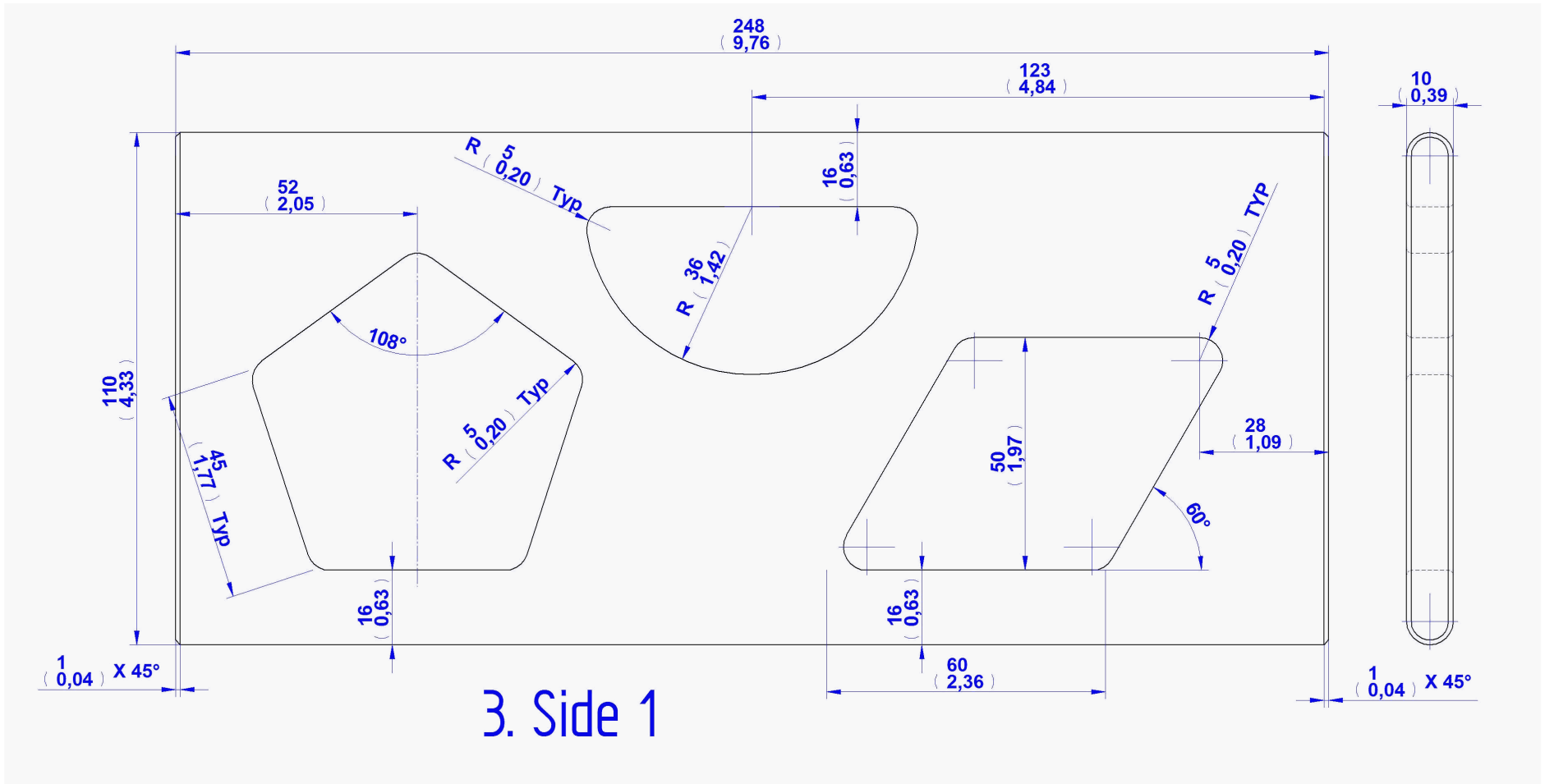


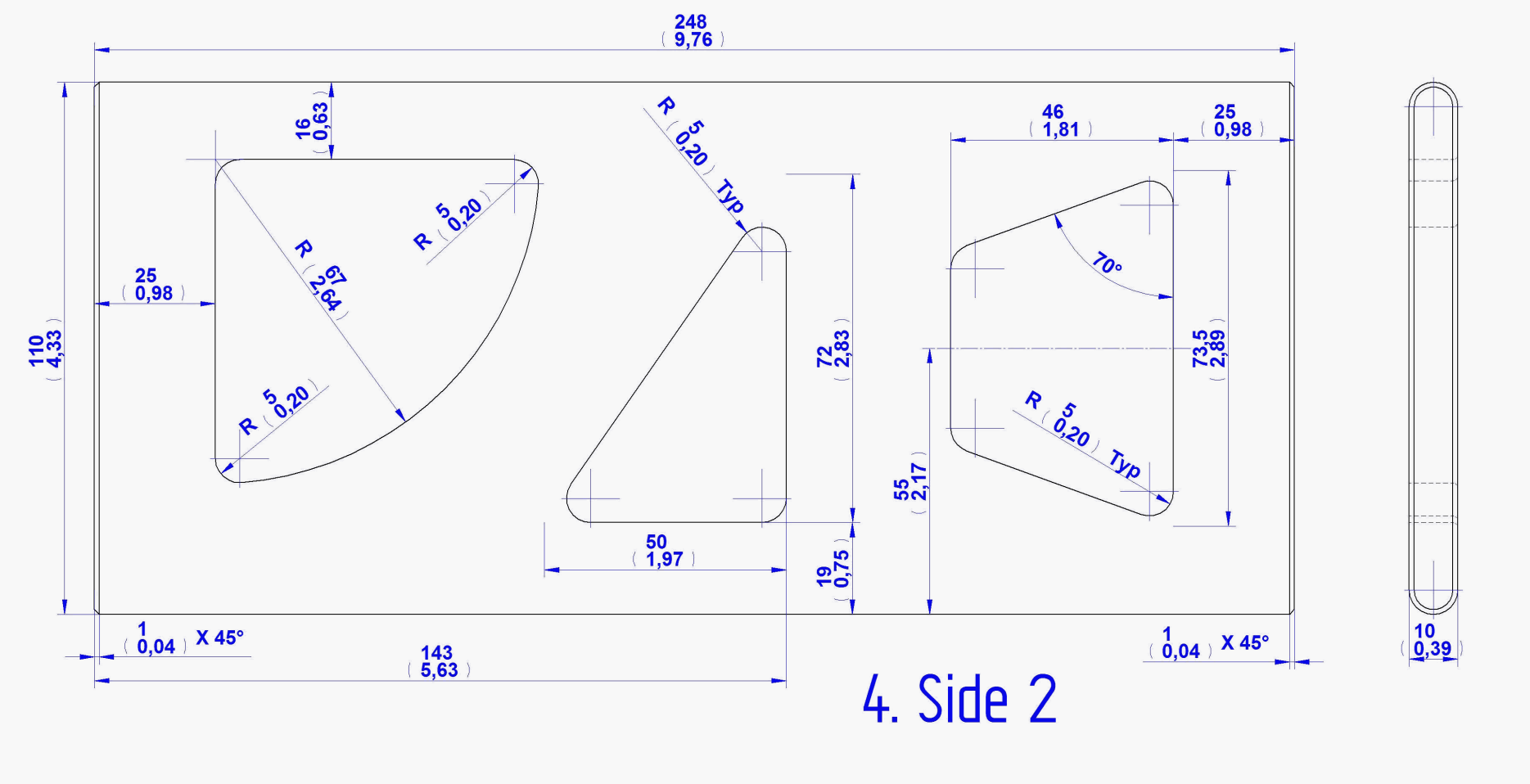


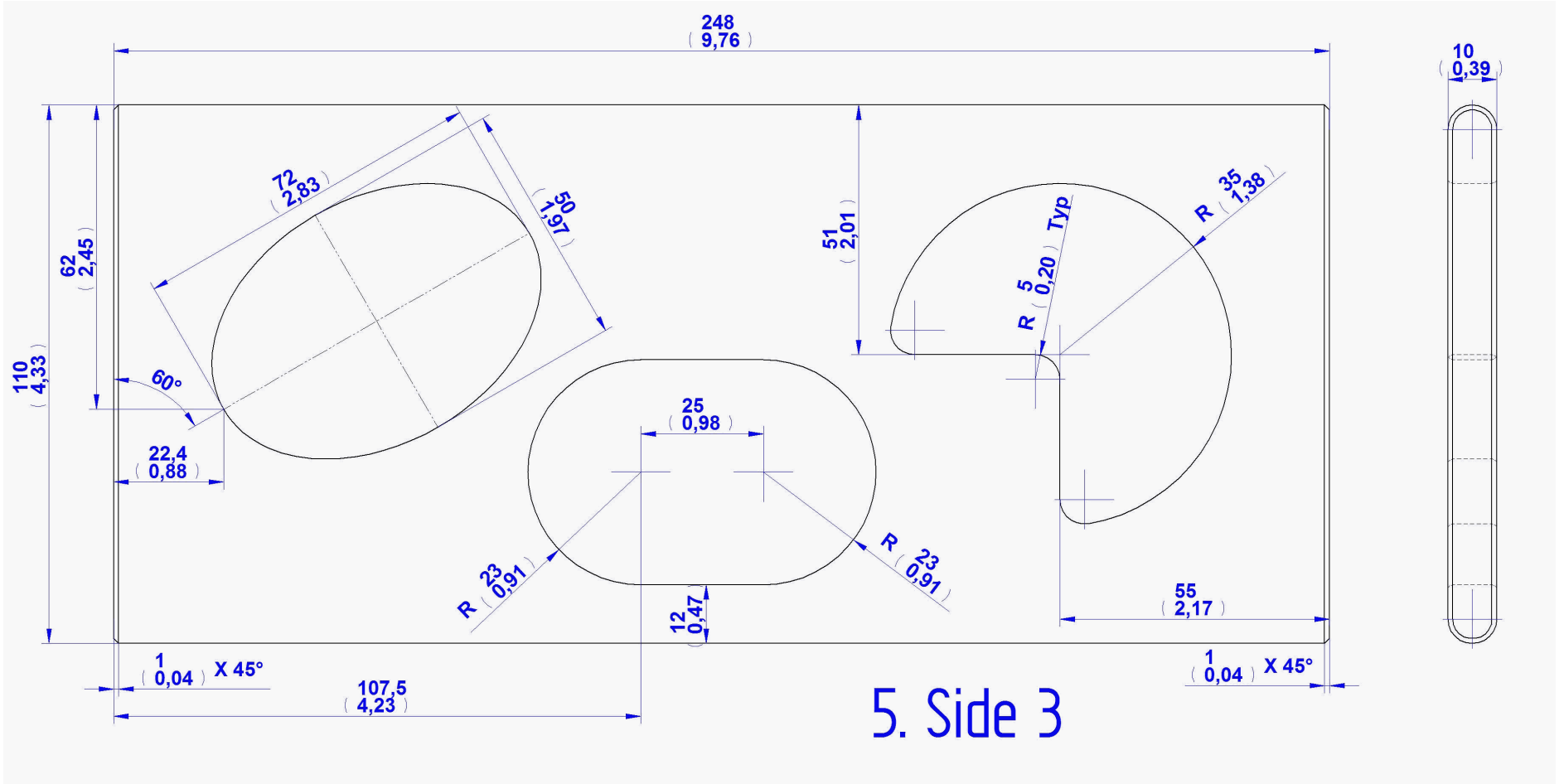
# 1. Base



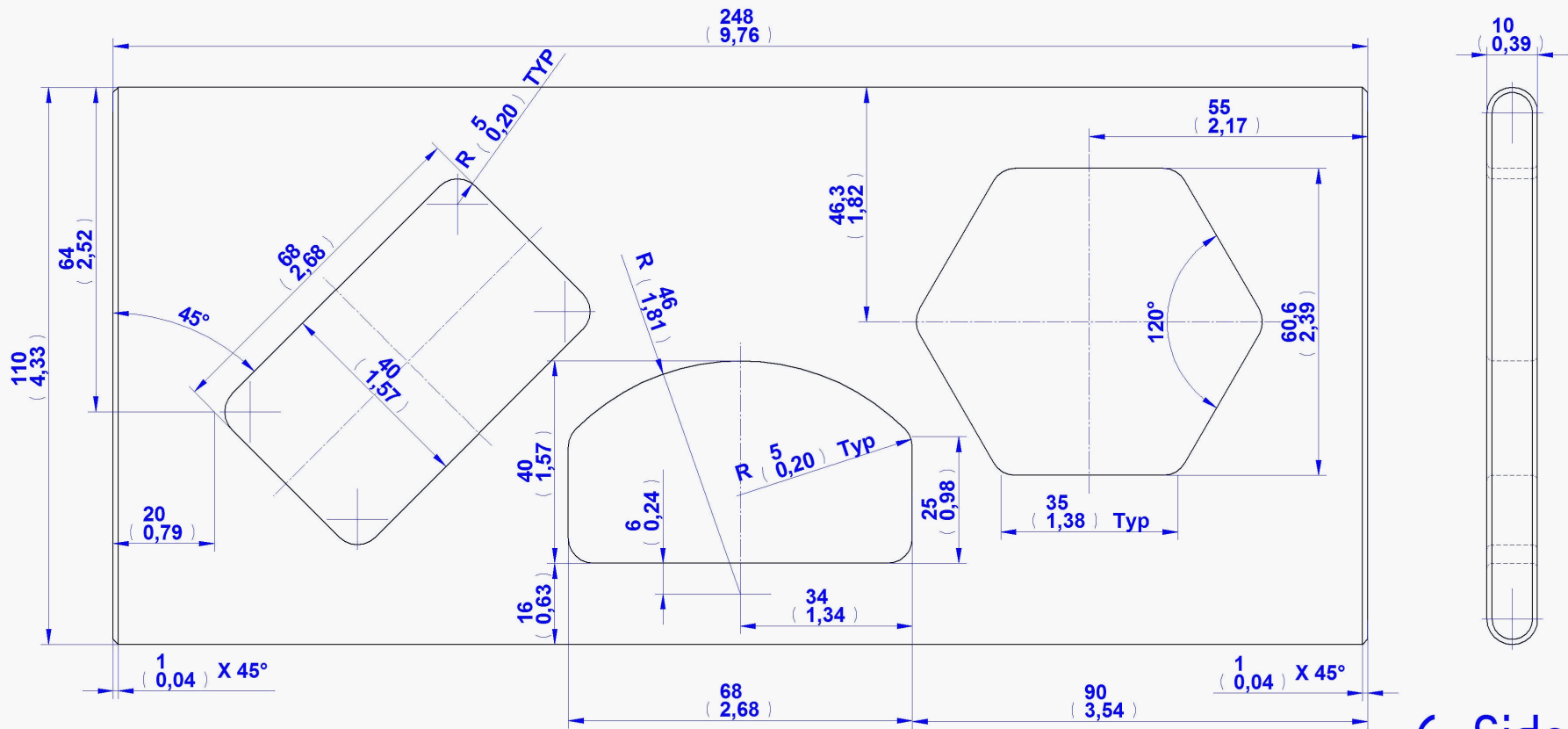
2. Top



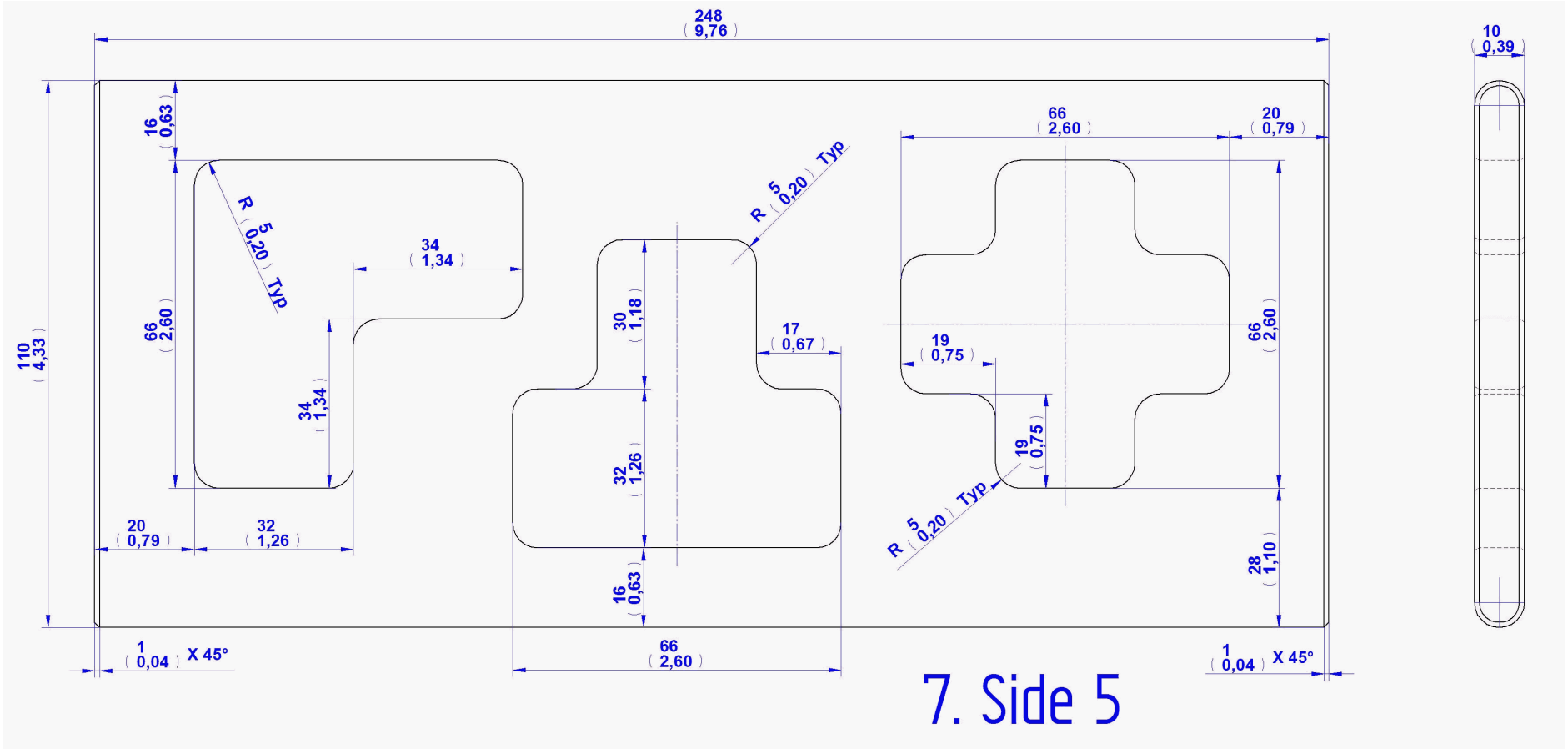


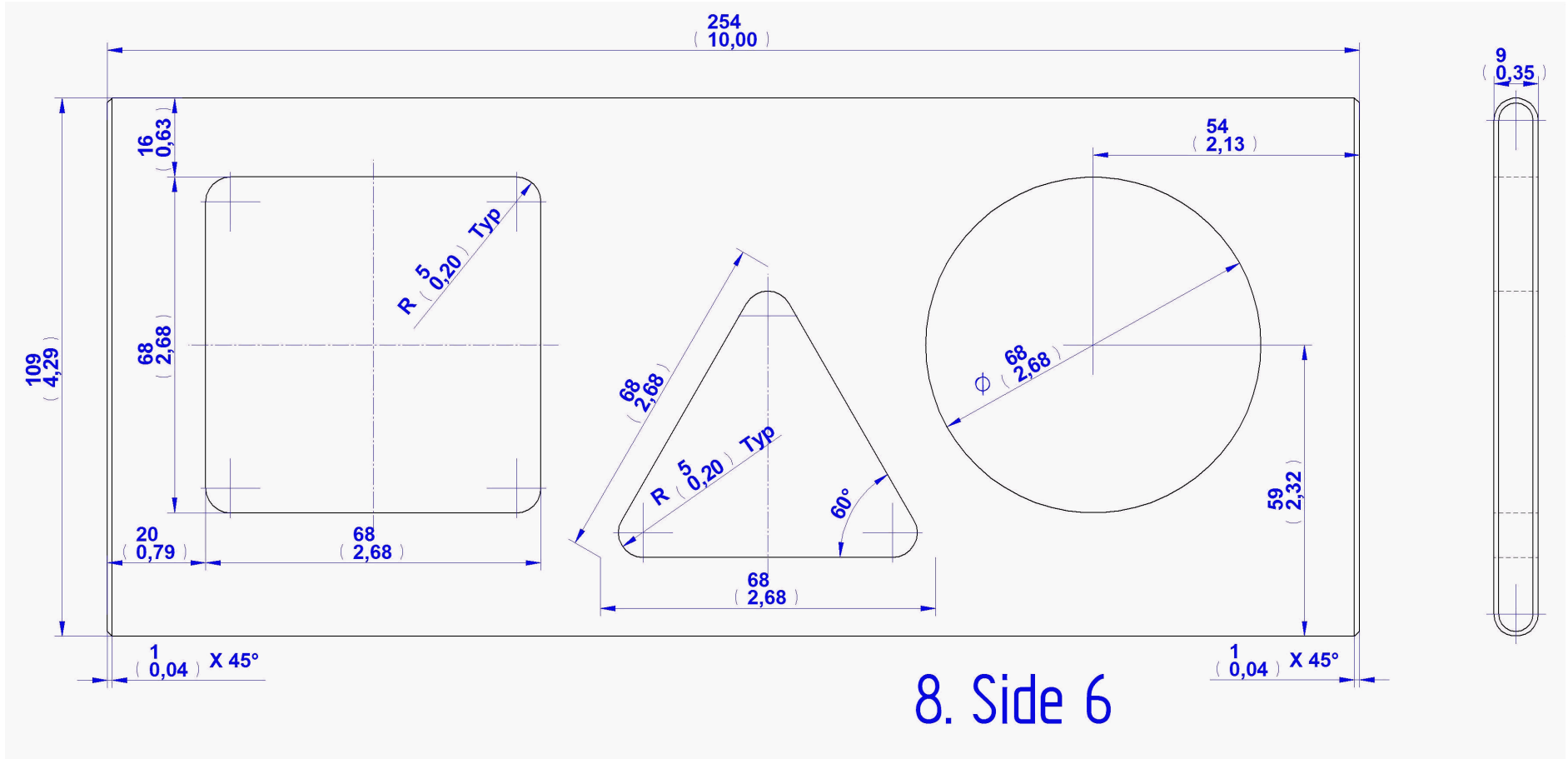


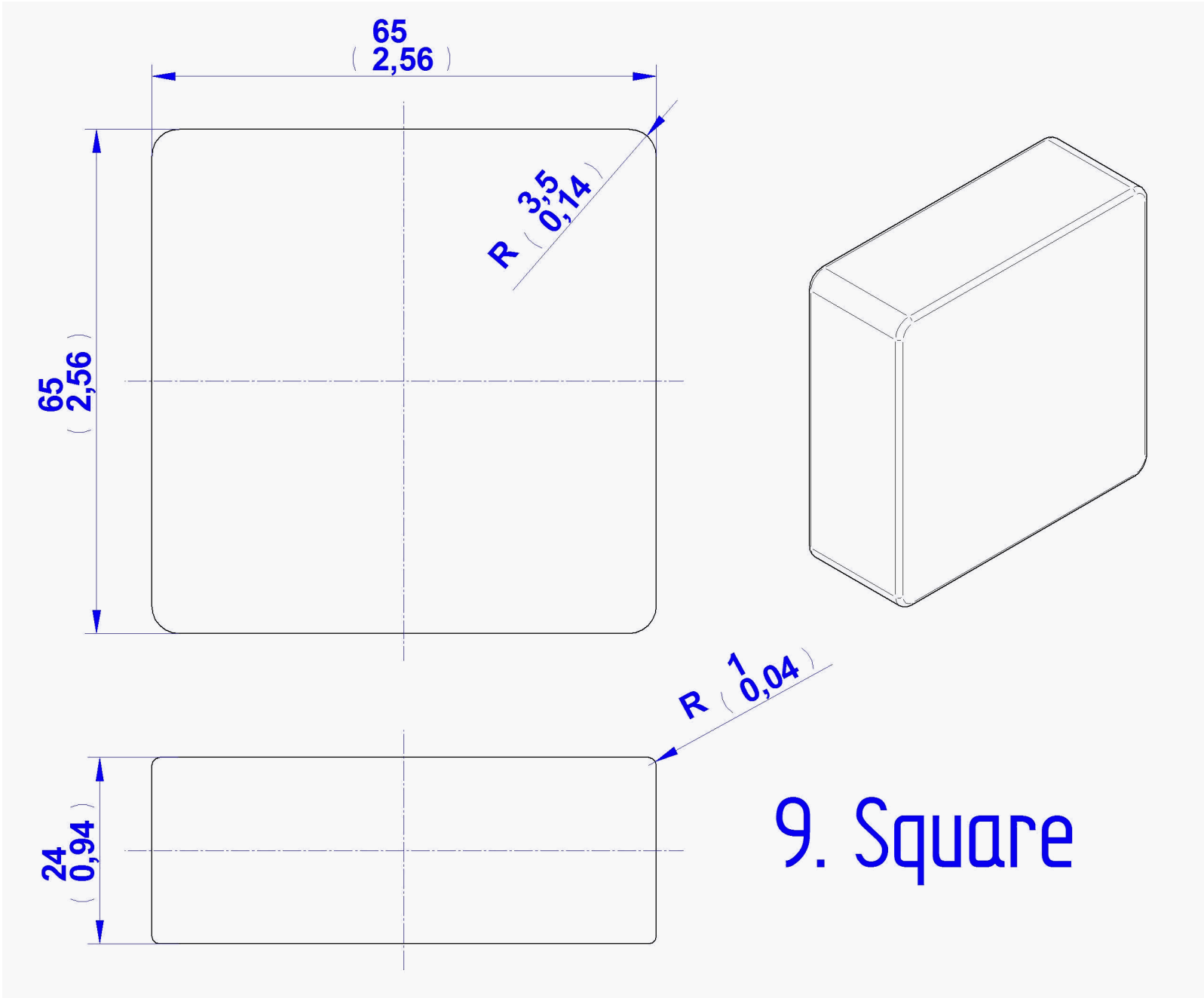


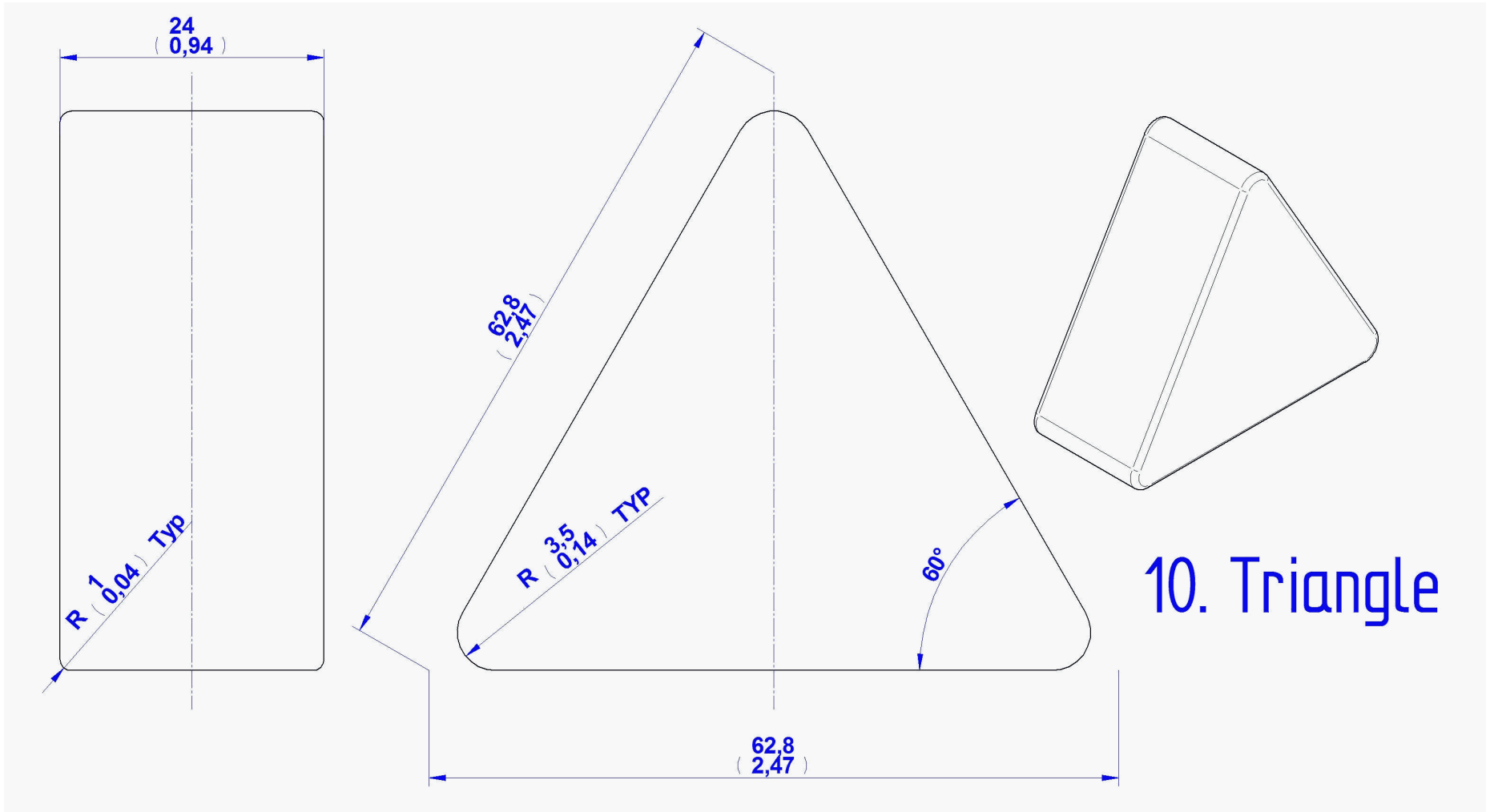


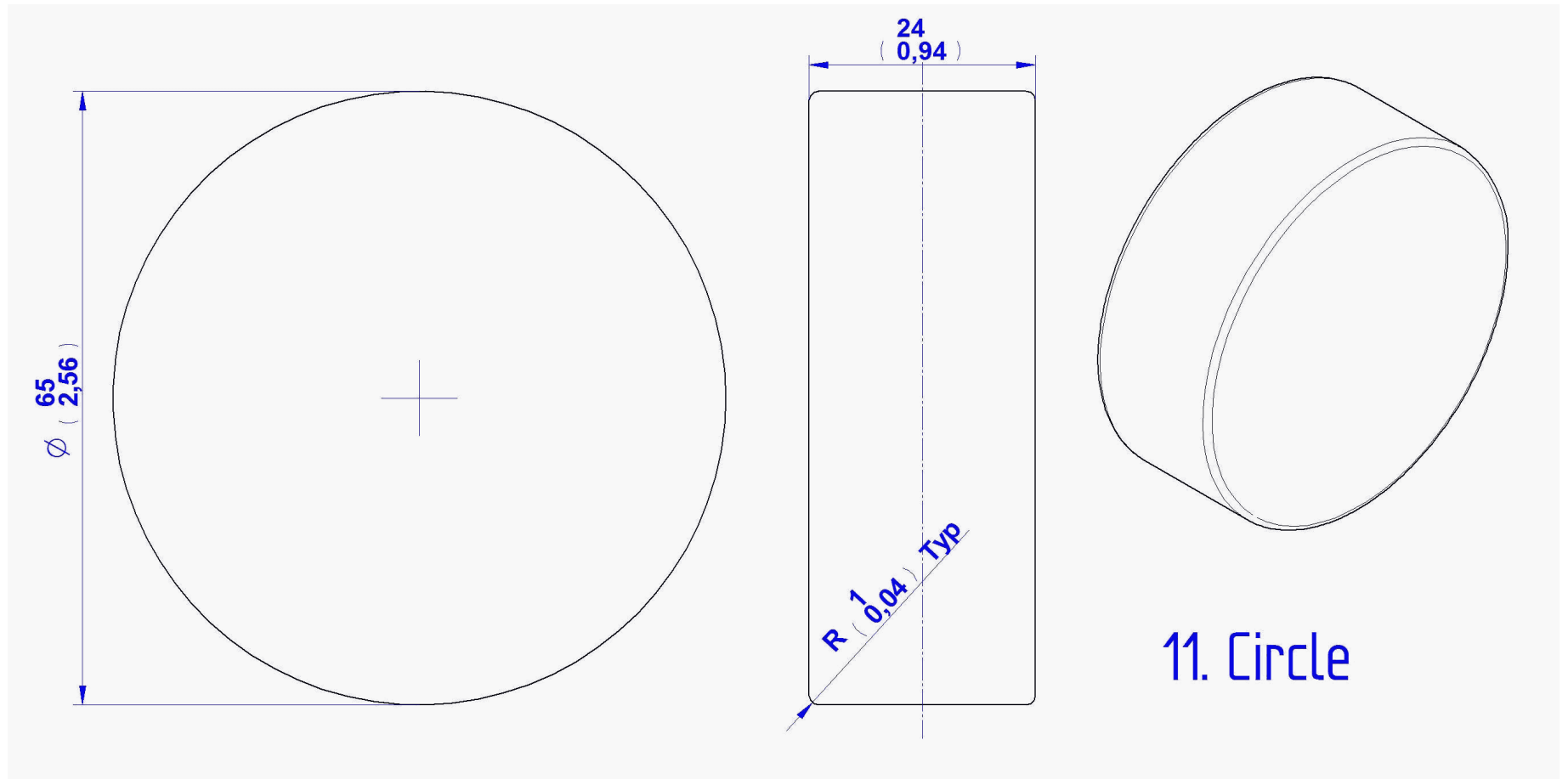
6. Side 4

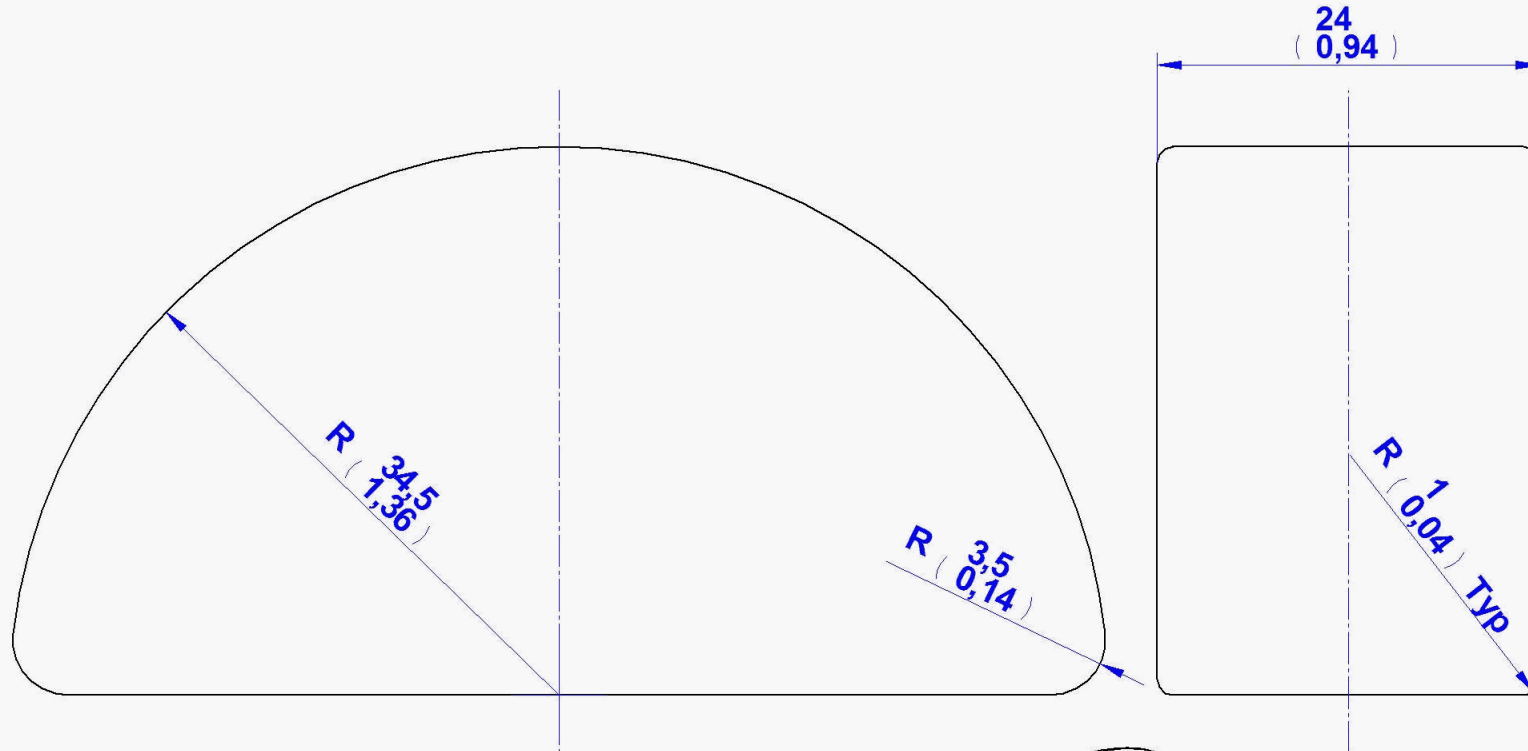




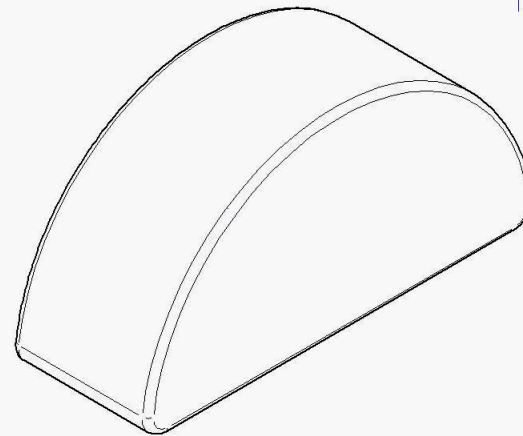


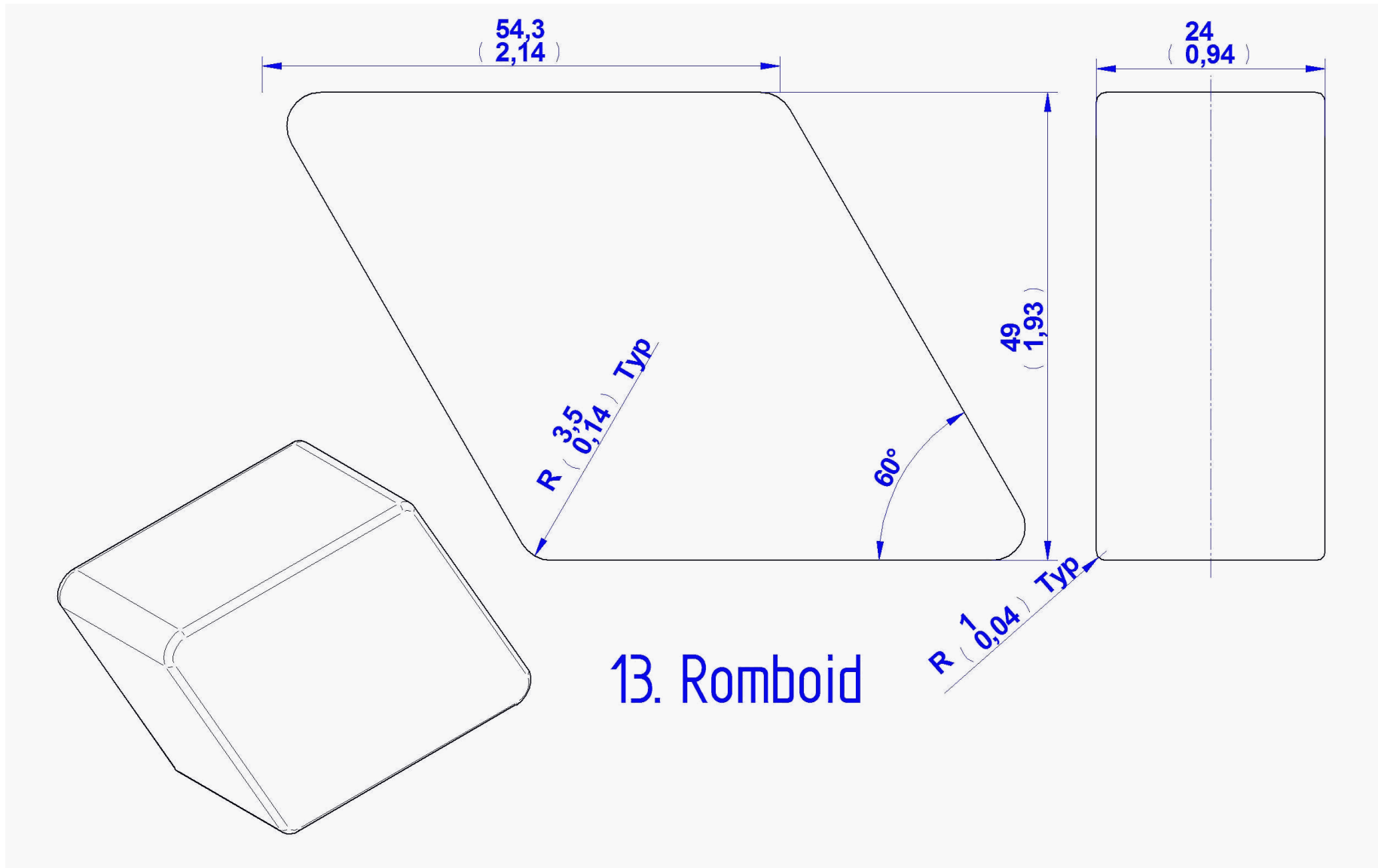




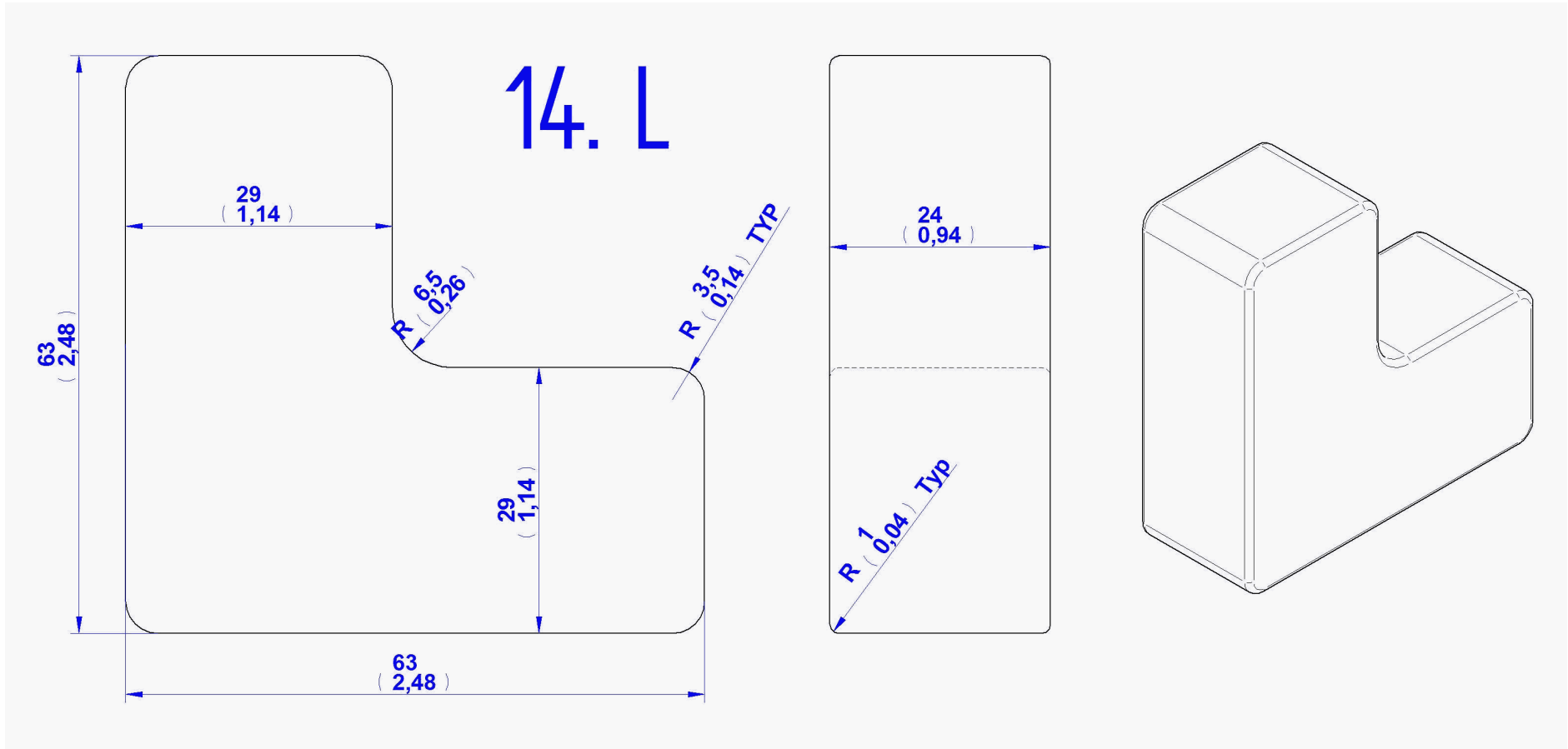


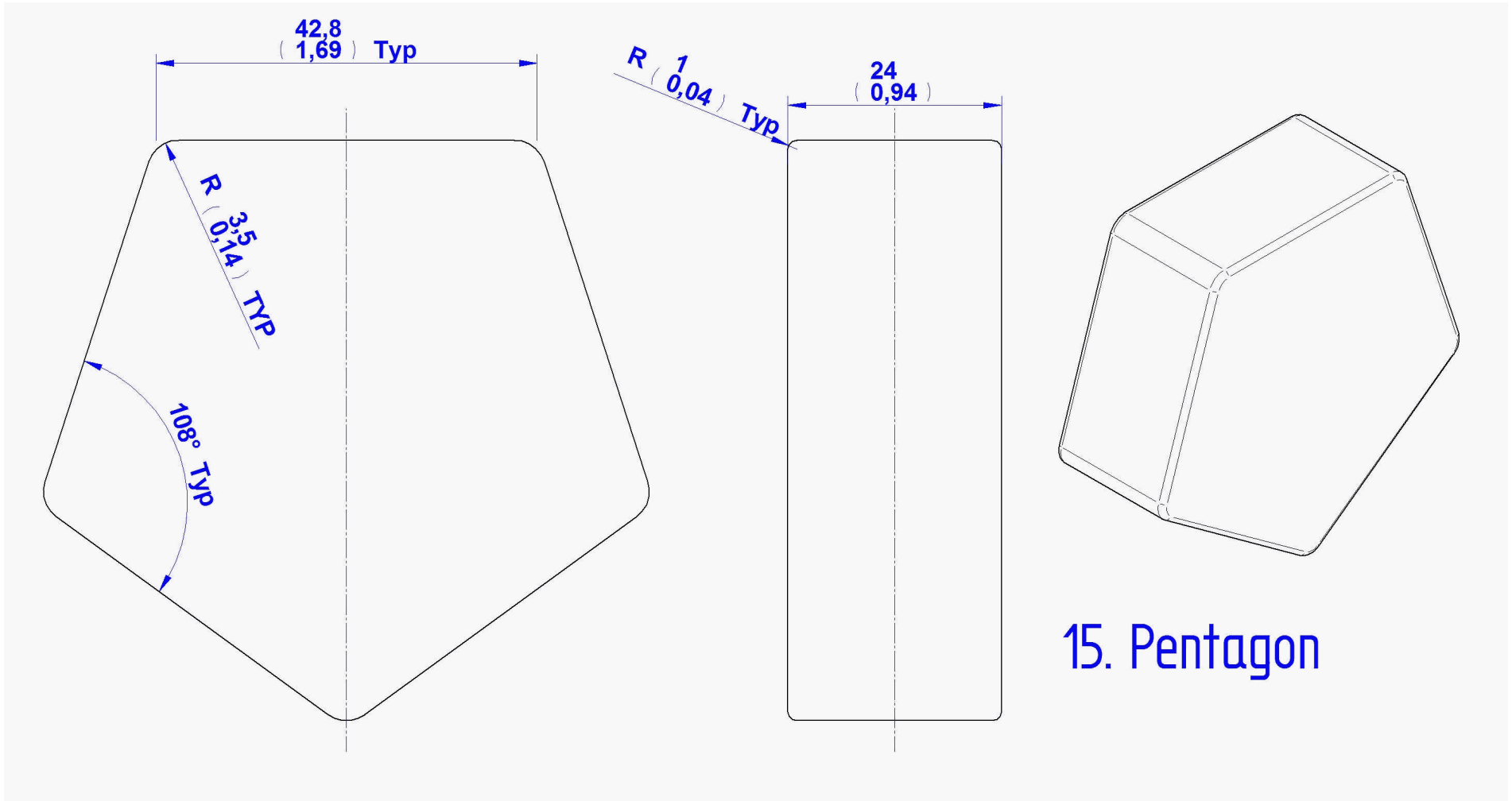
## 12. Semicircle

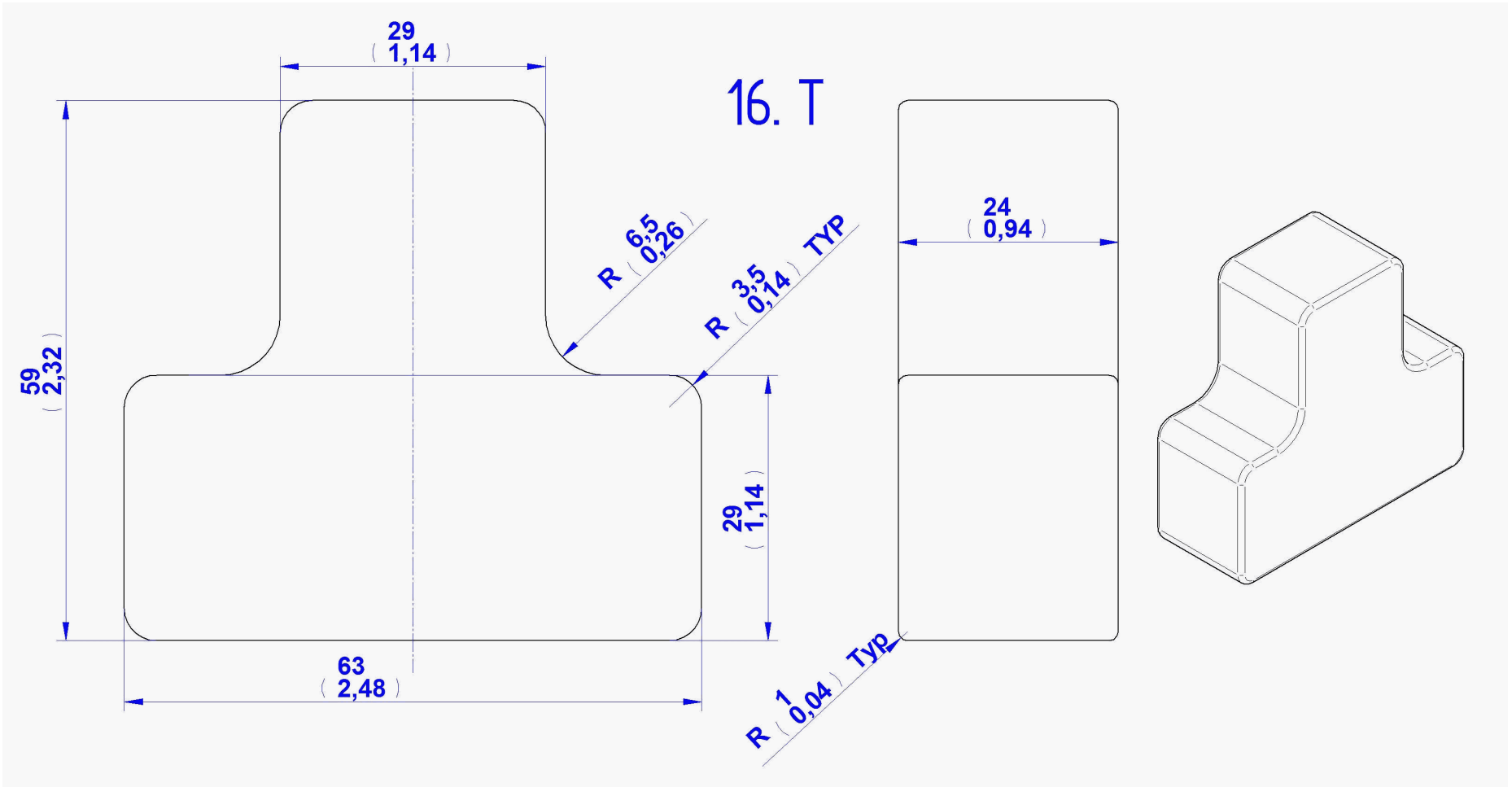


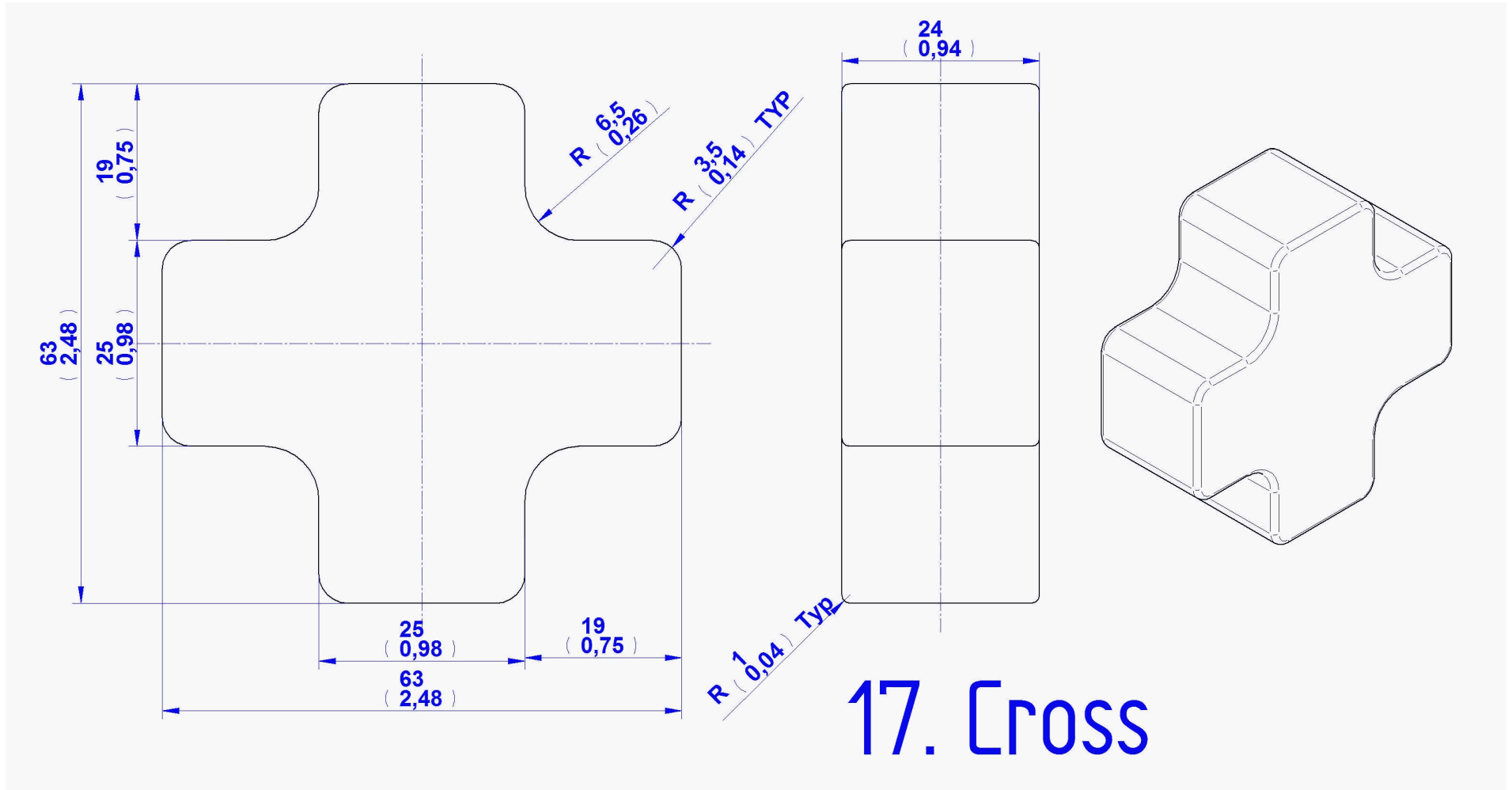




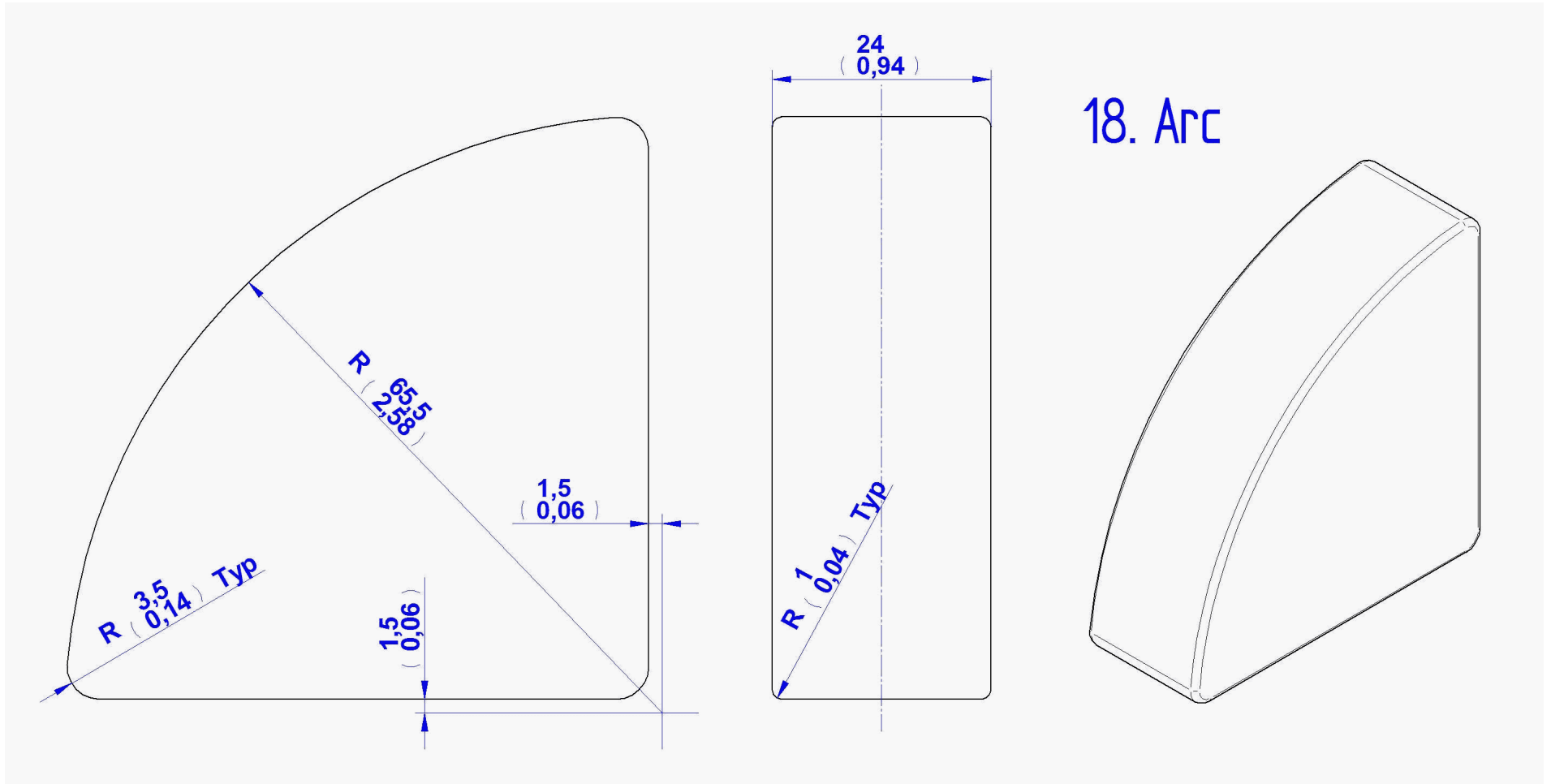




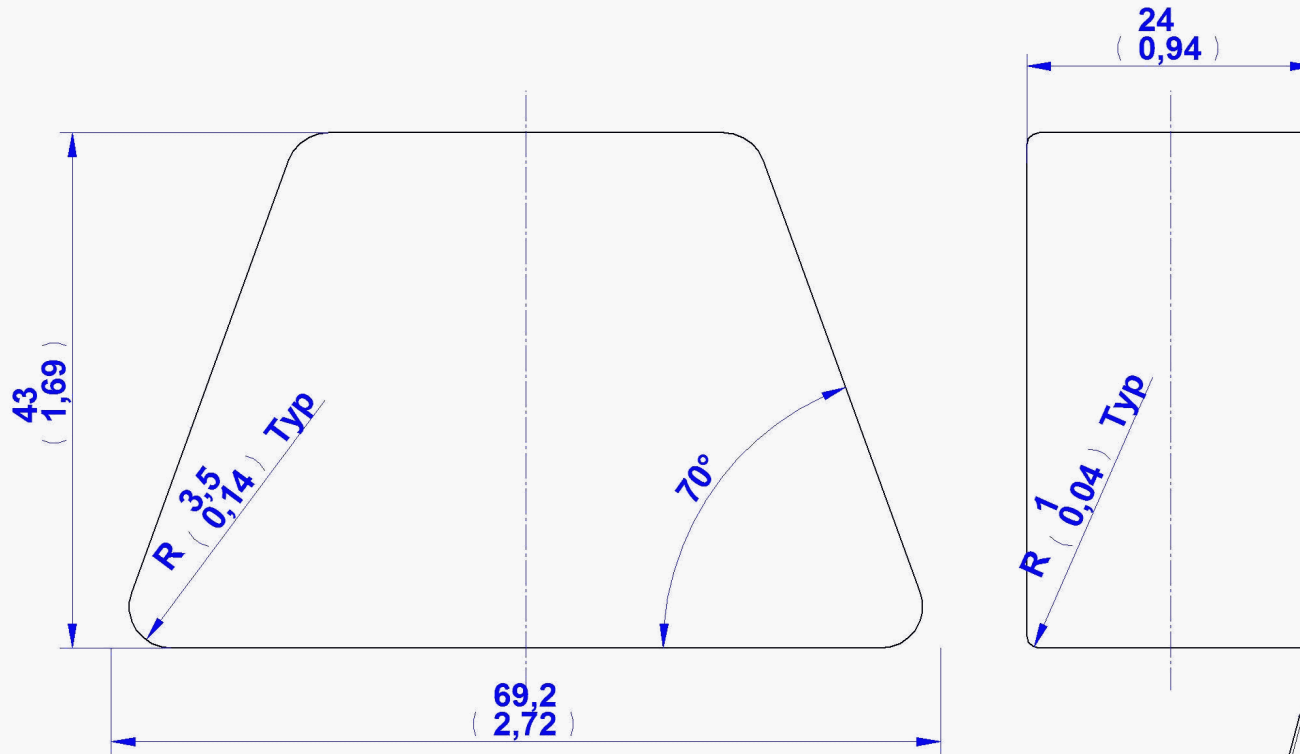




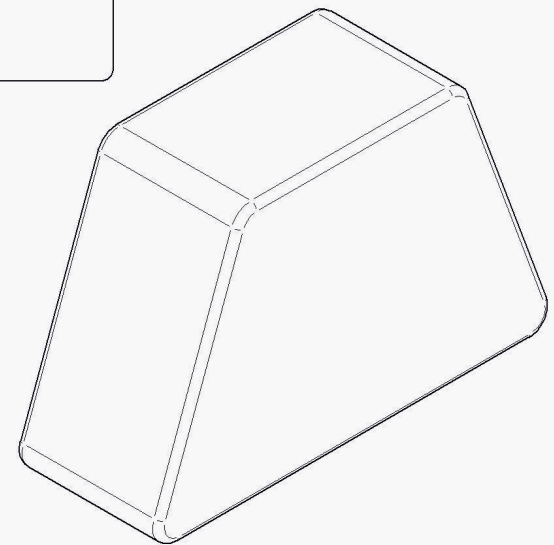
# 17. Cross



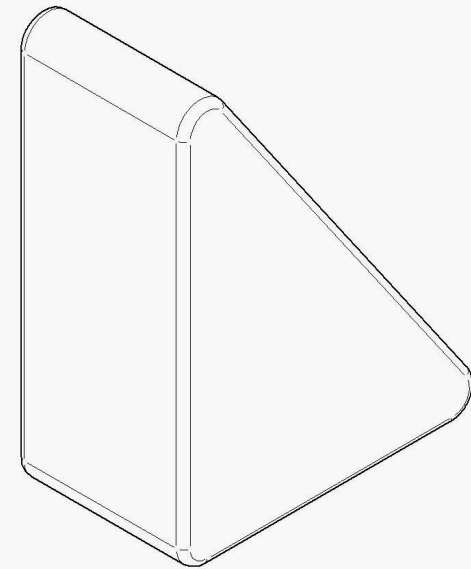
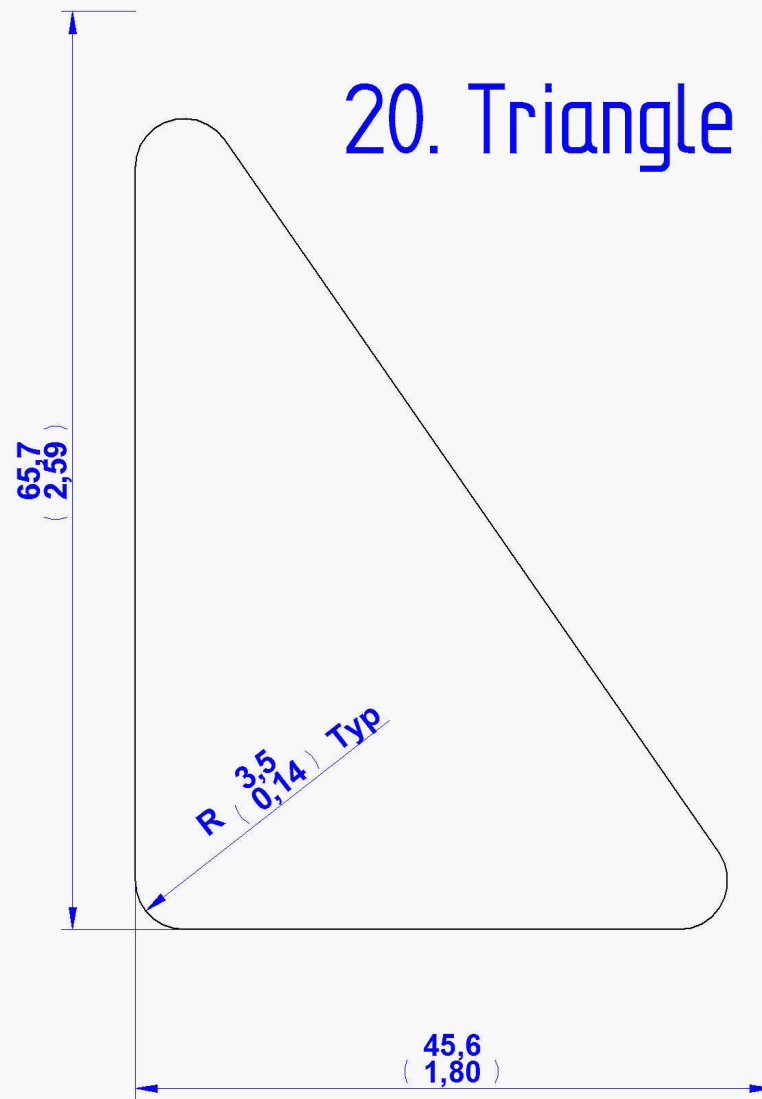
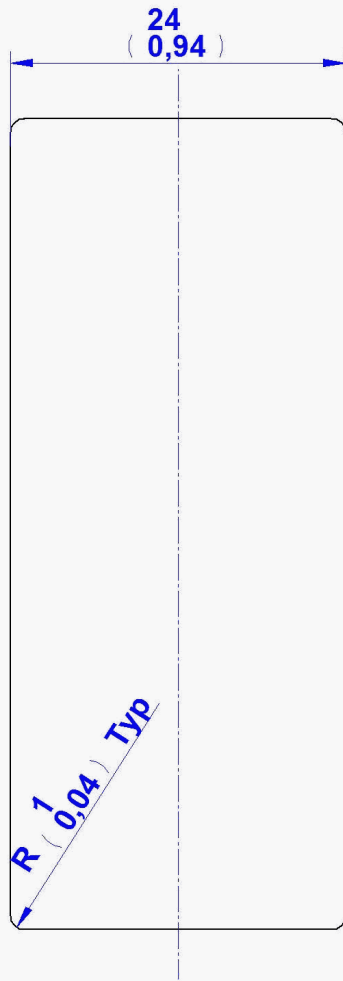
18. Arc

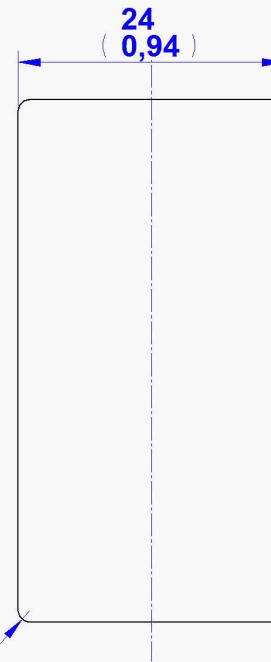
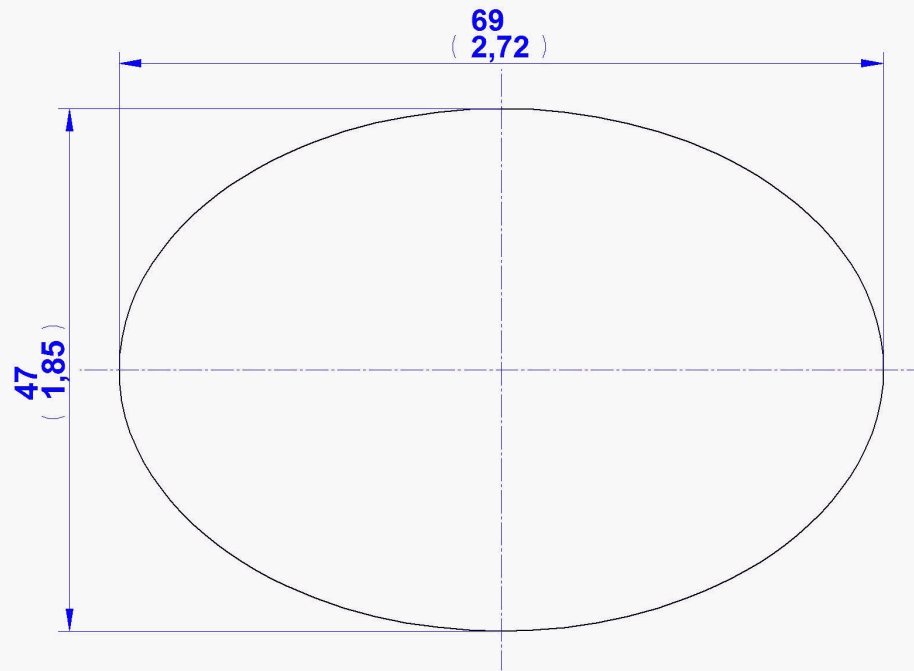


## 19. Trapezoid

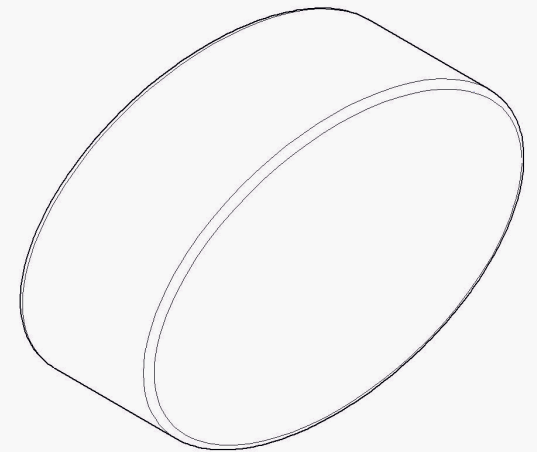


# 20. Triangle Square

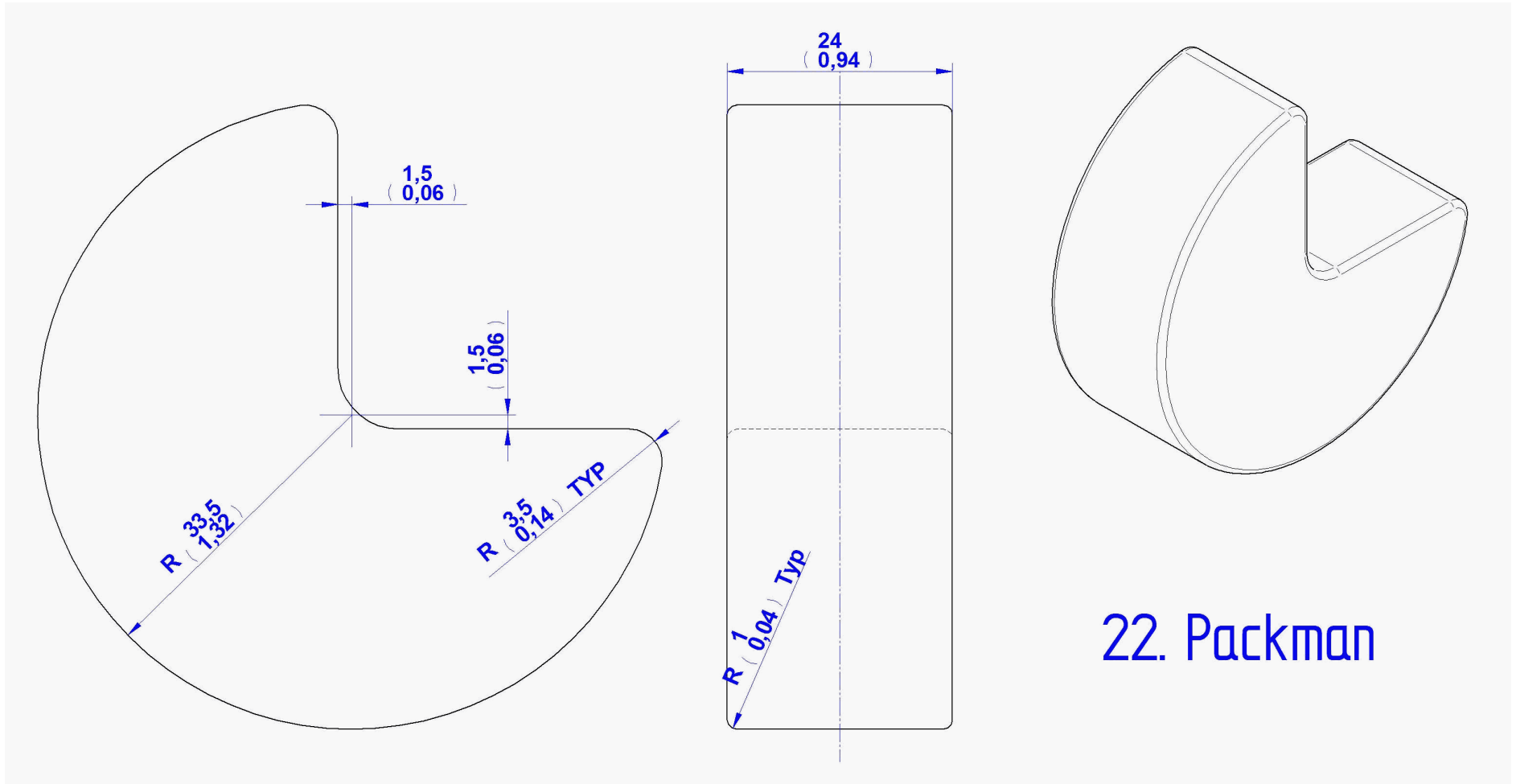




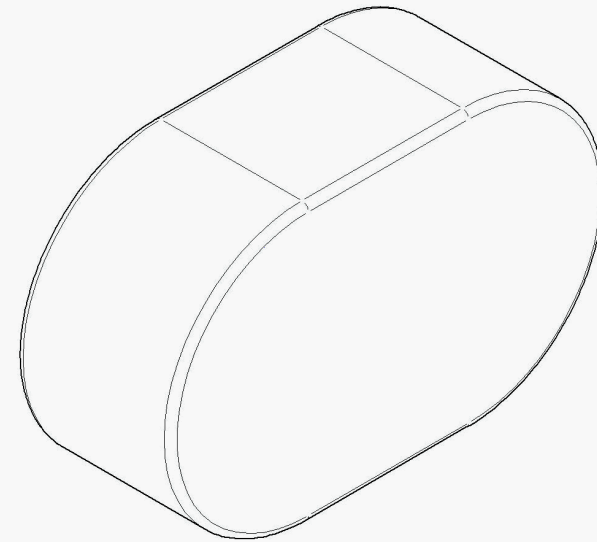
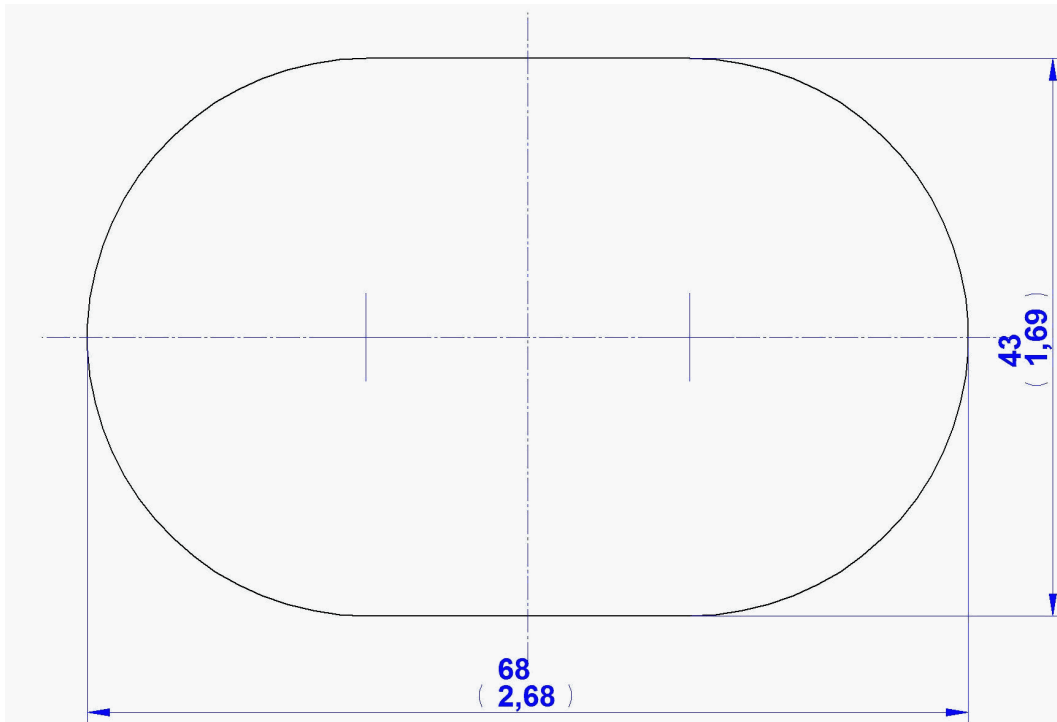
## 21. Ellipse





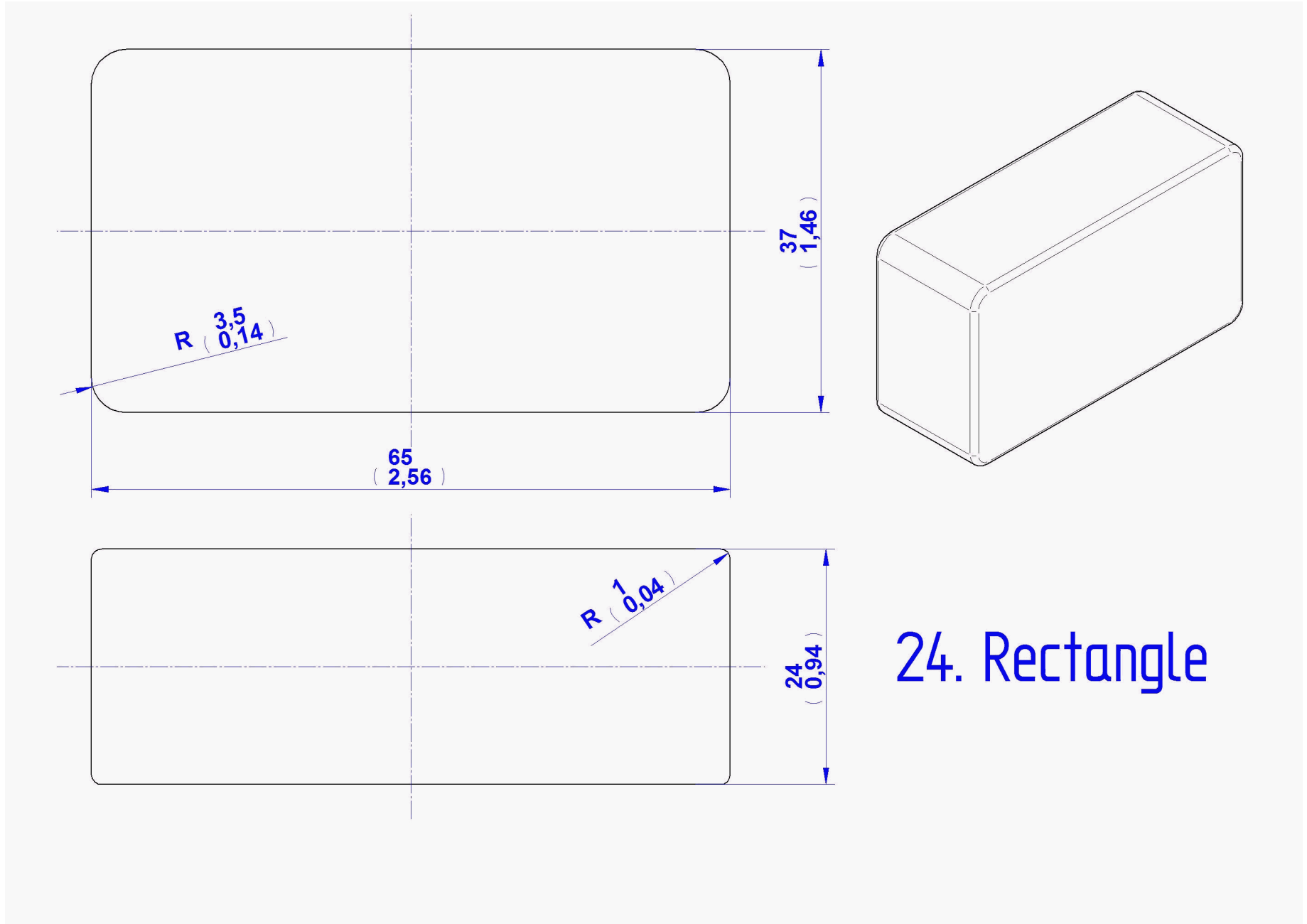


22. Packman

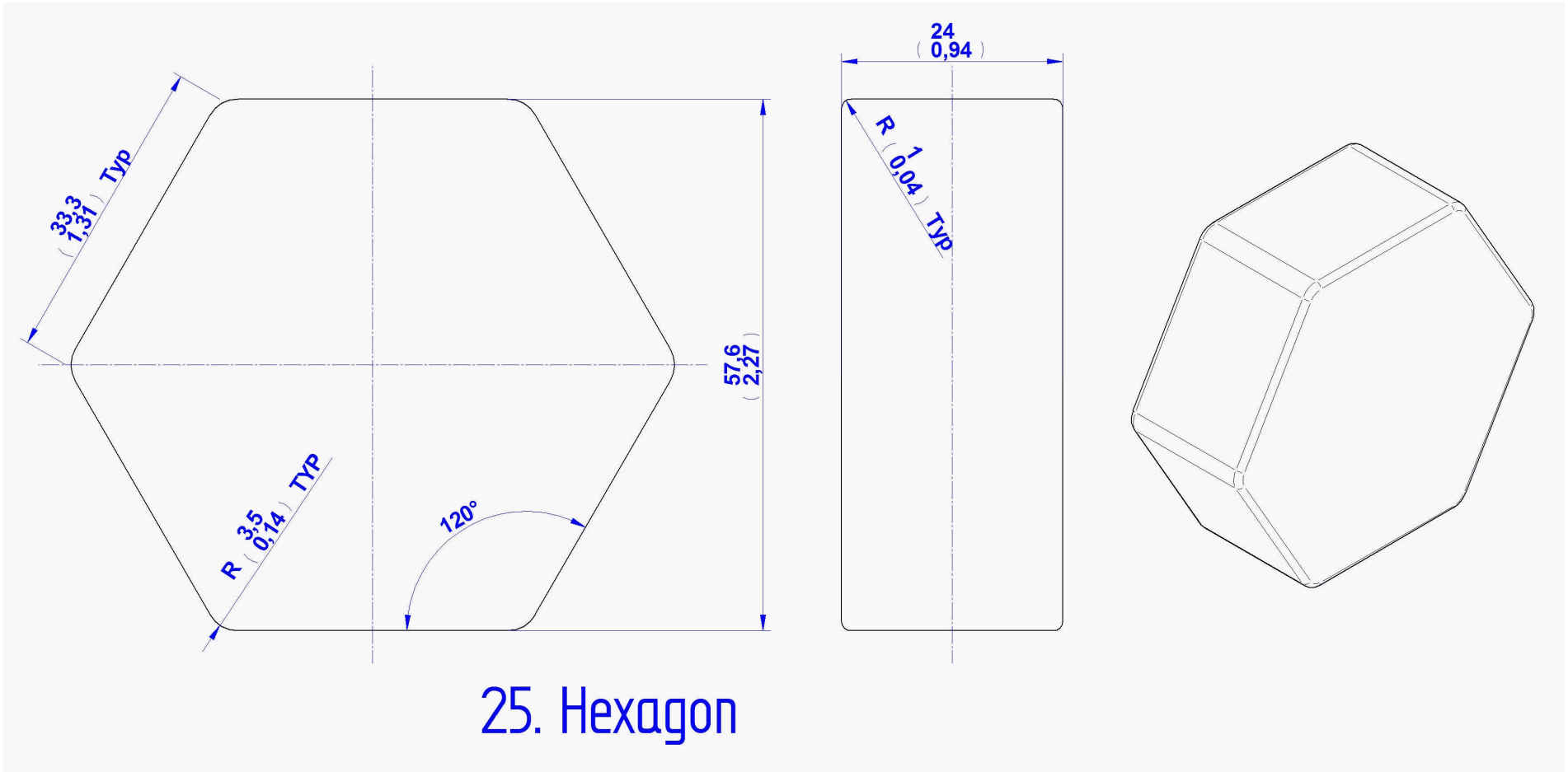


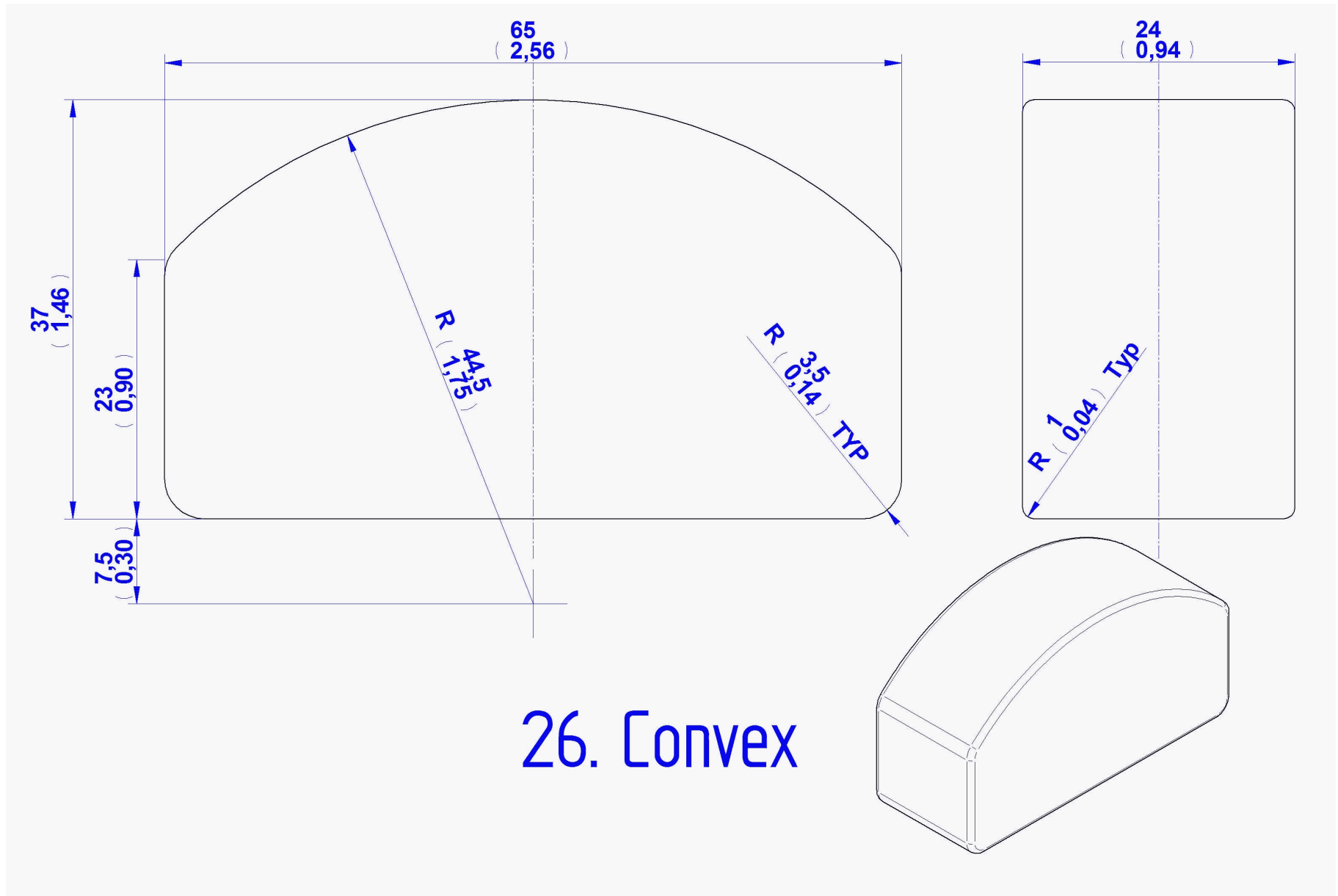
## 23. Rounded Rectangle

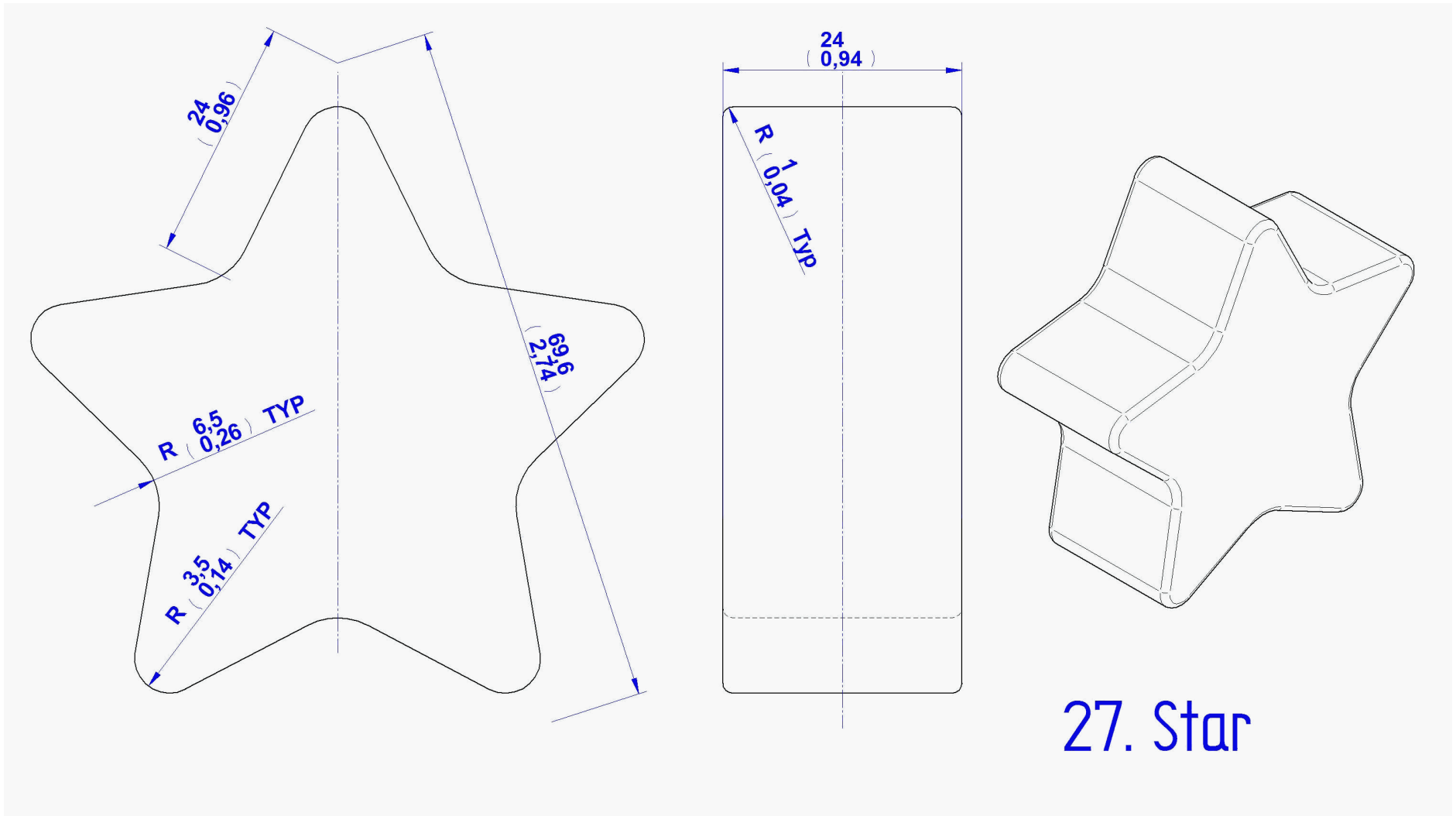


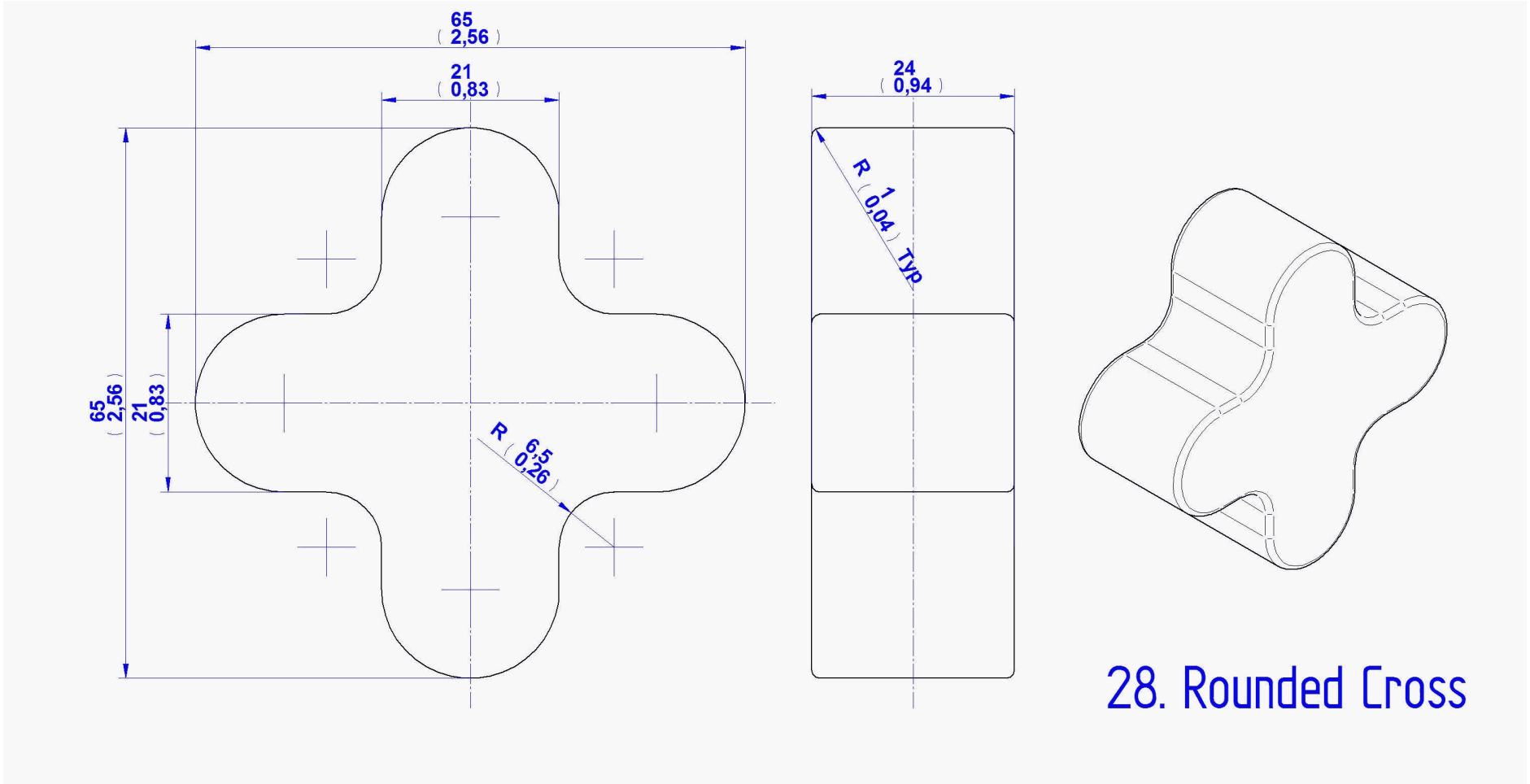


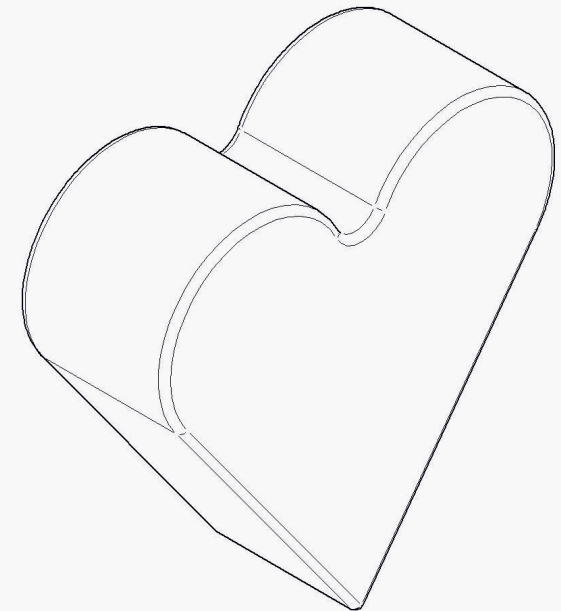
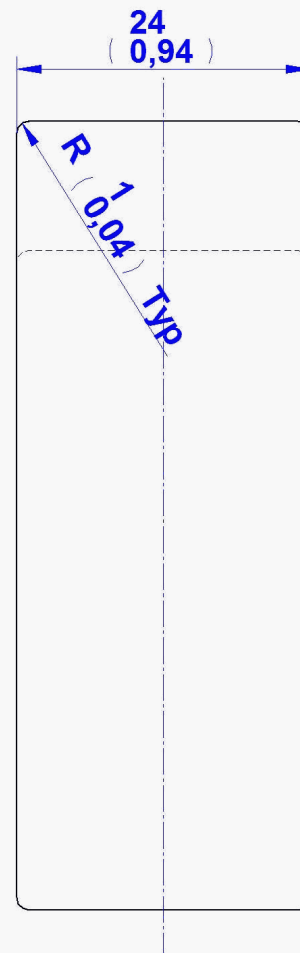
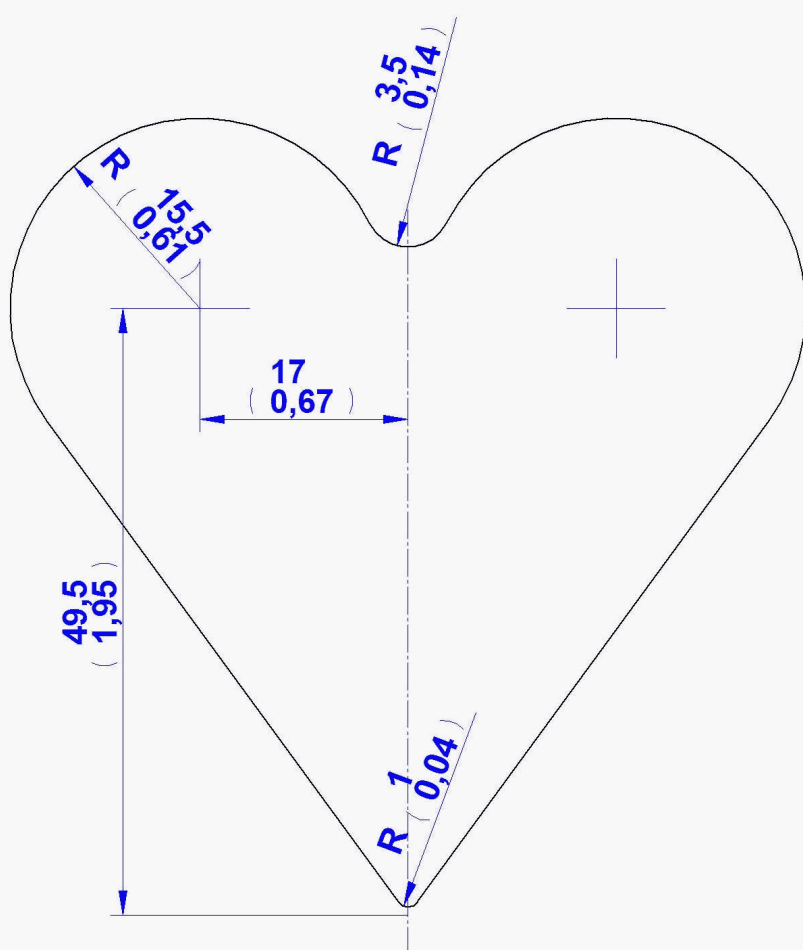
## 24. Rectangle











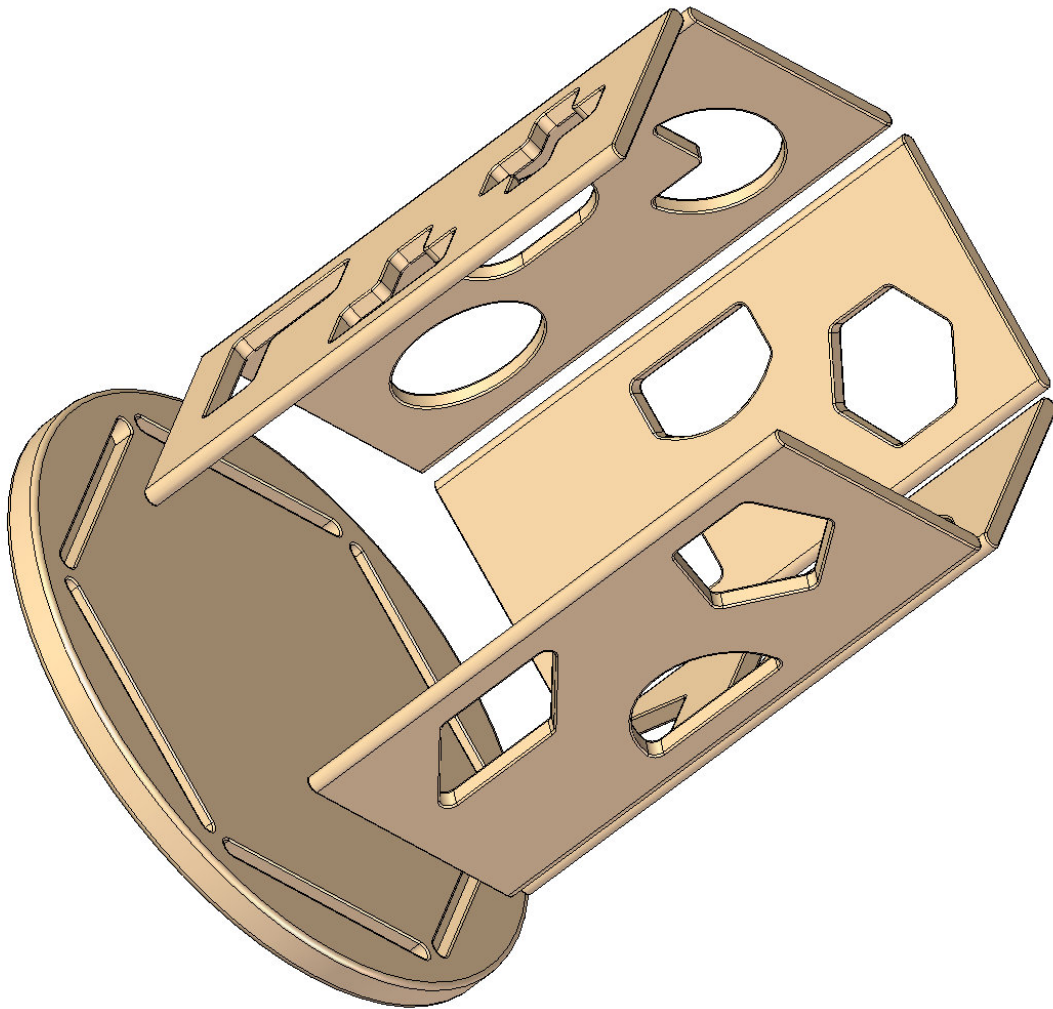
29. Heart

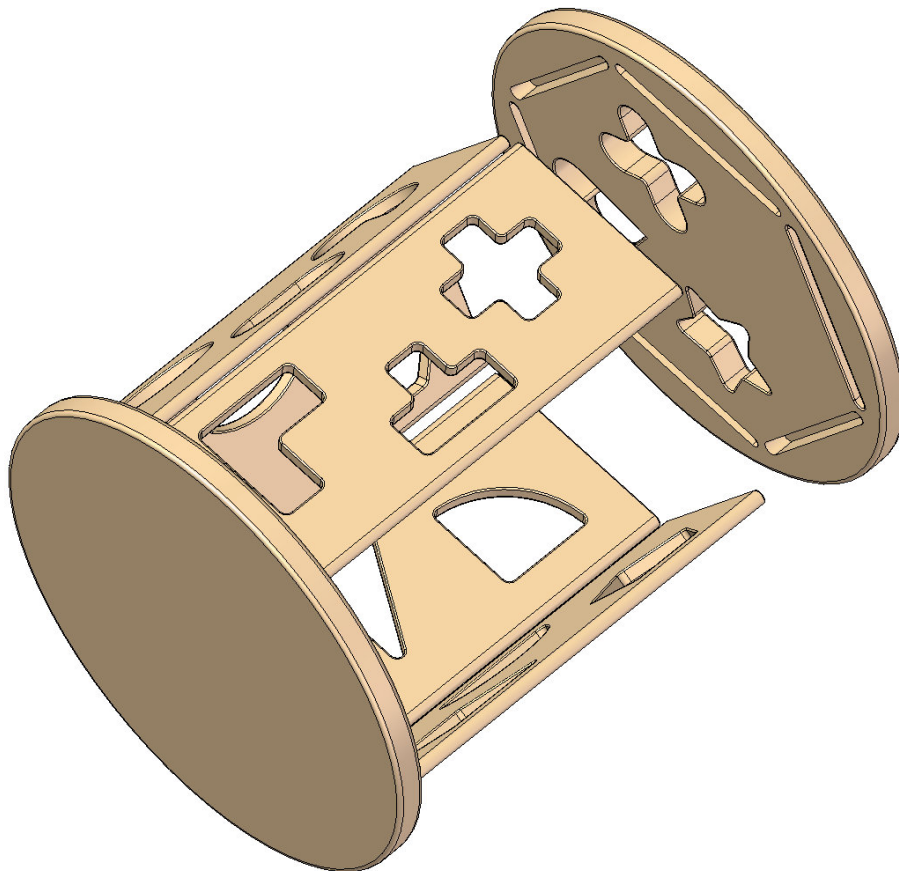
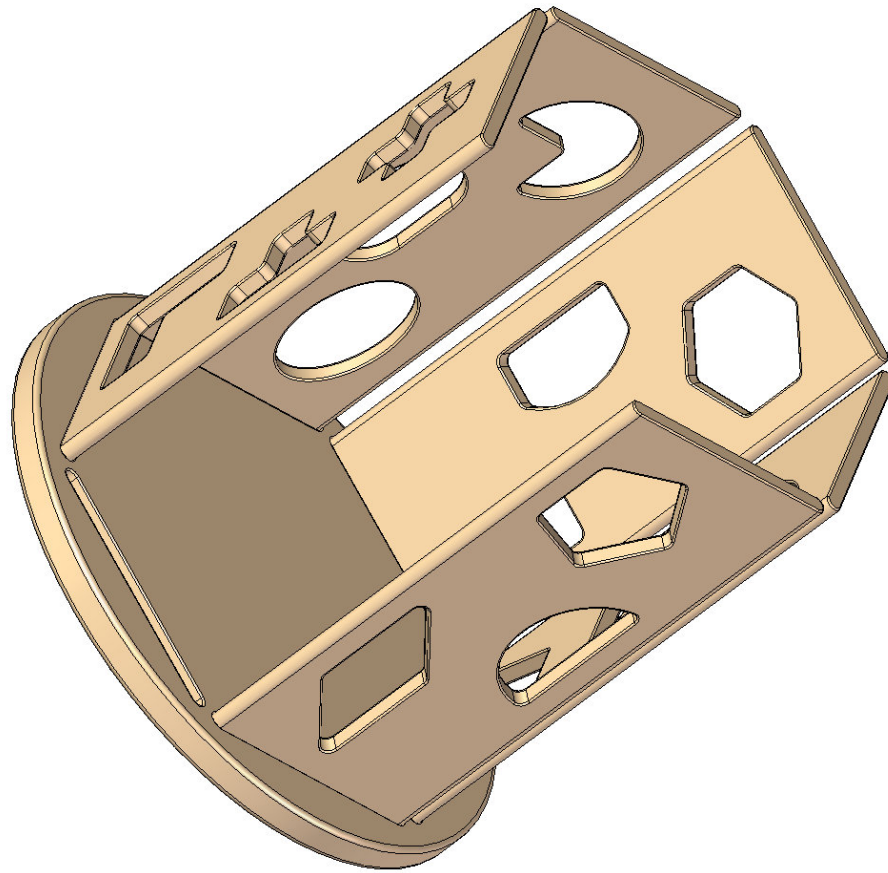


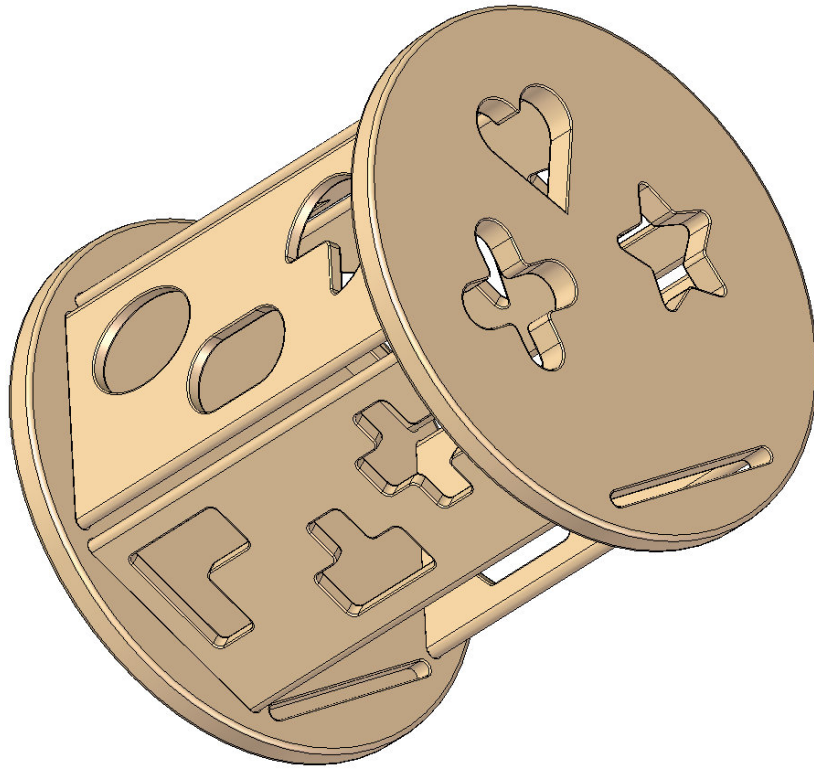
# Assemblage instruction

The process of completing this toy is quite simple.

The box assembly: Put the glue into the canals on the Base (item 1) and Top (item 2); then stick the Sides (items 3, 4, 5, 6, and 7) into it. Put up the completed box into the woodworking vise until the glue dry out.







The Side6 (item 8) is moveable and it is being used to pick up the wanted pieces out of the box

