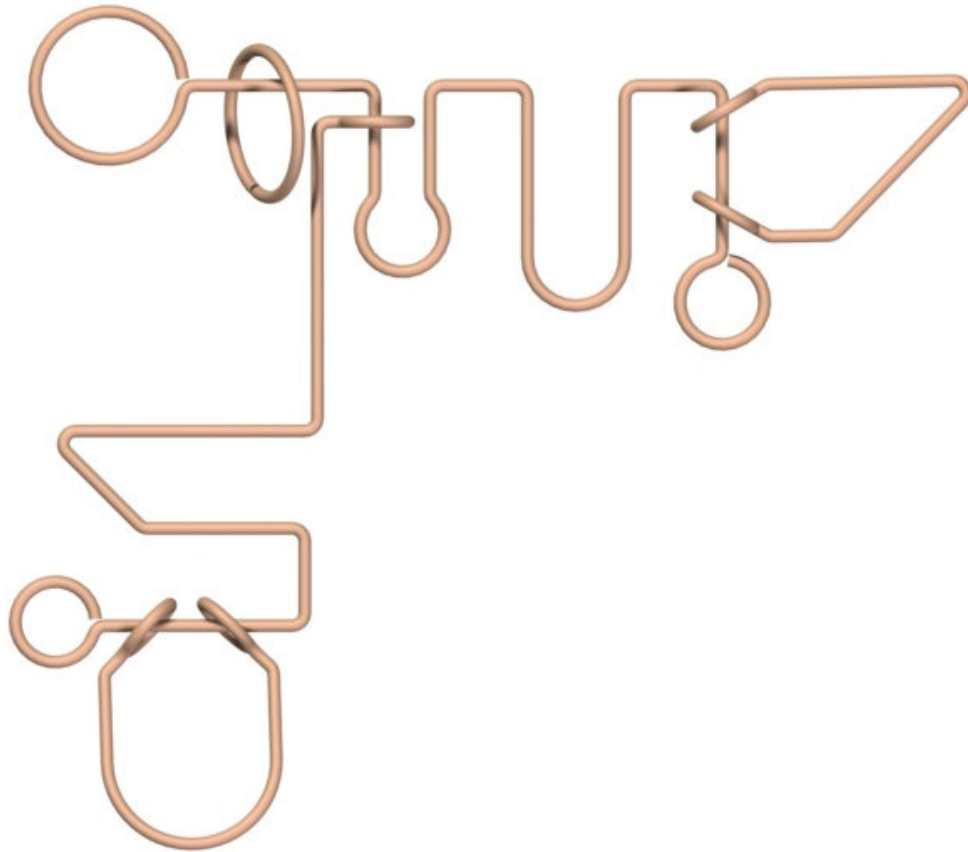


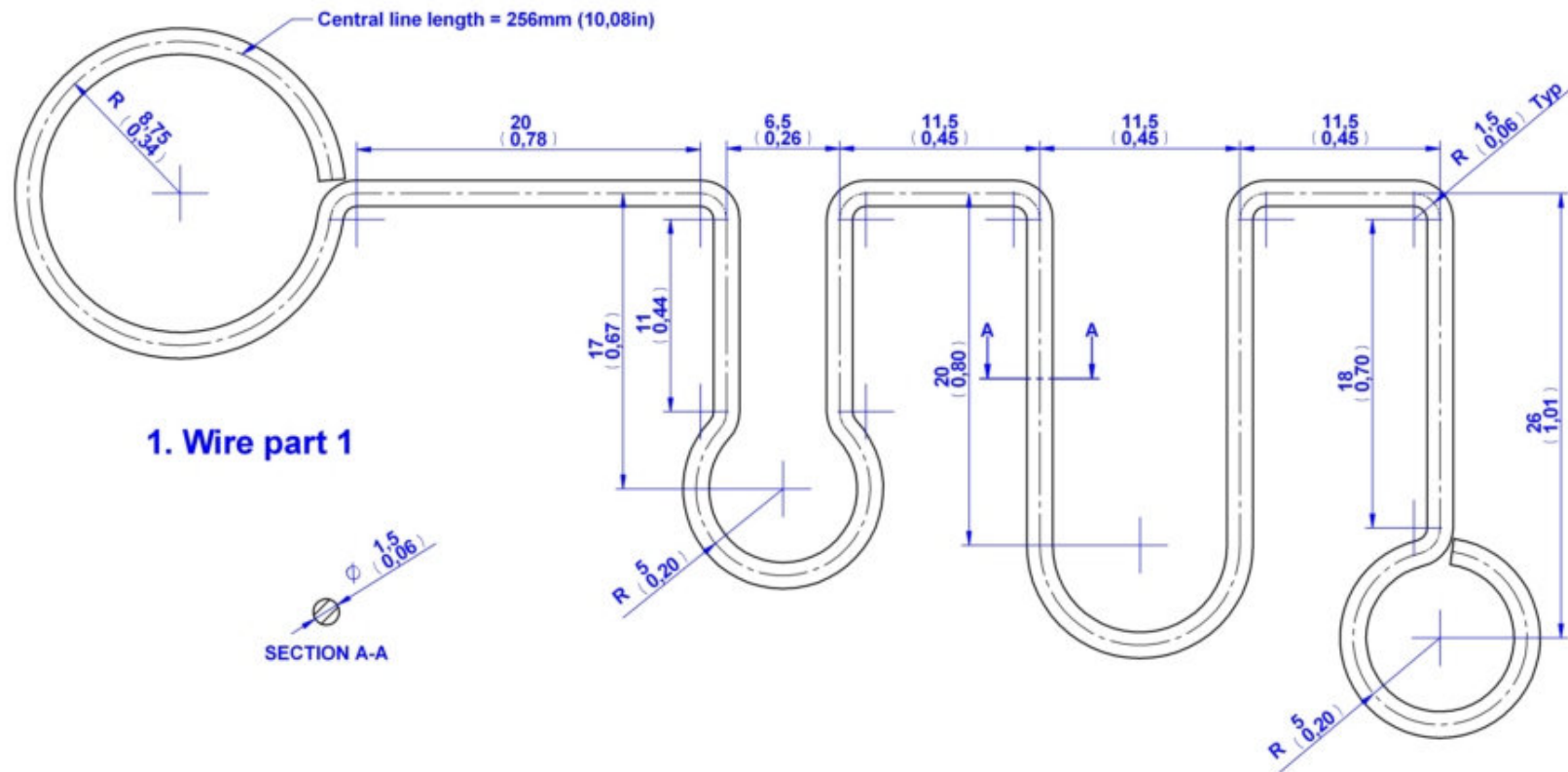
Wire puzzle

This puzzle game tests your ingenuity. It consists out of 5 parts made by twisting more or less stiff wire.

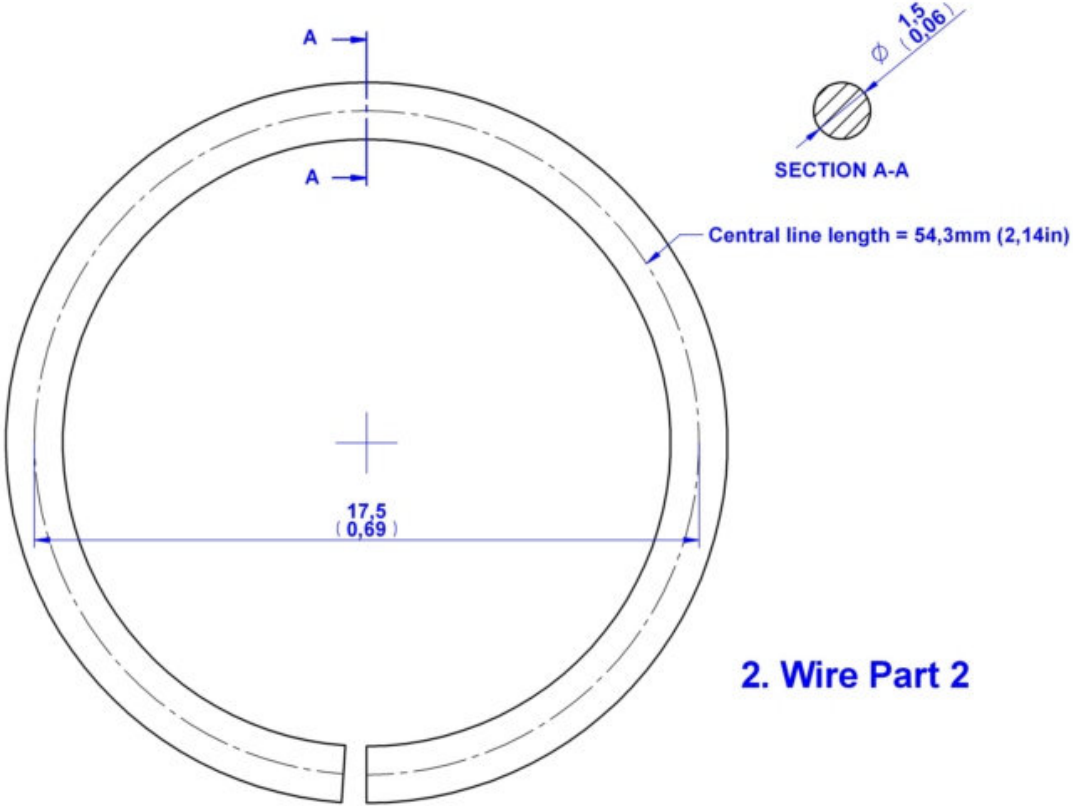
The task of this wire puzzle is to take off Part 2 and to put it back in position, like shown on picture.



Wire puzzle part 1

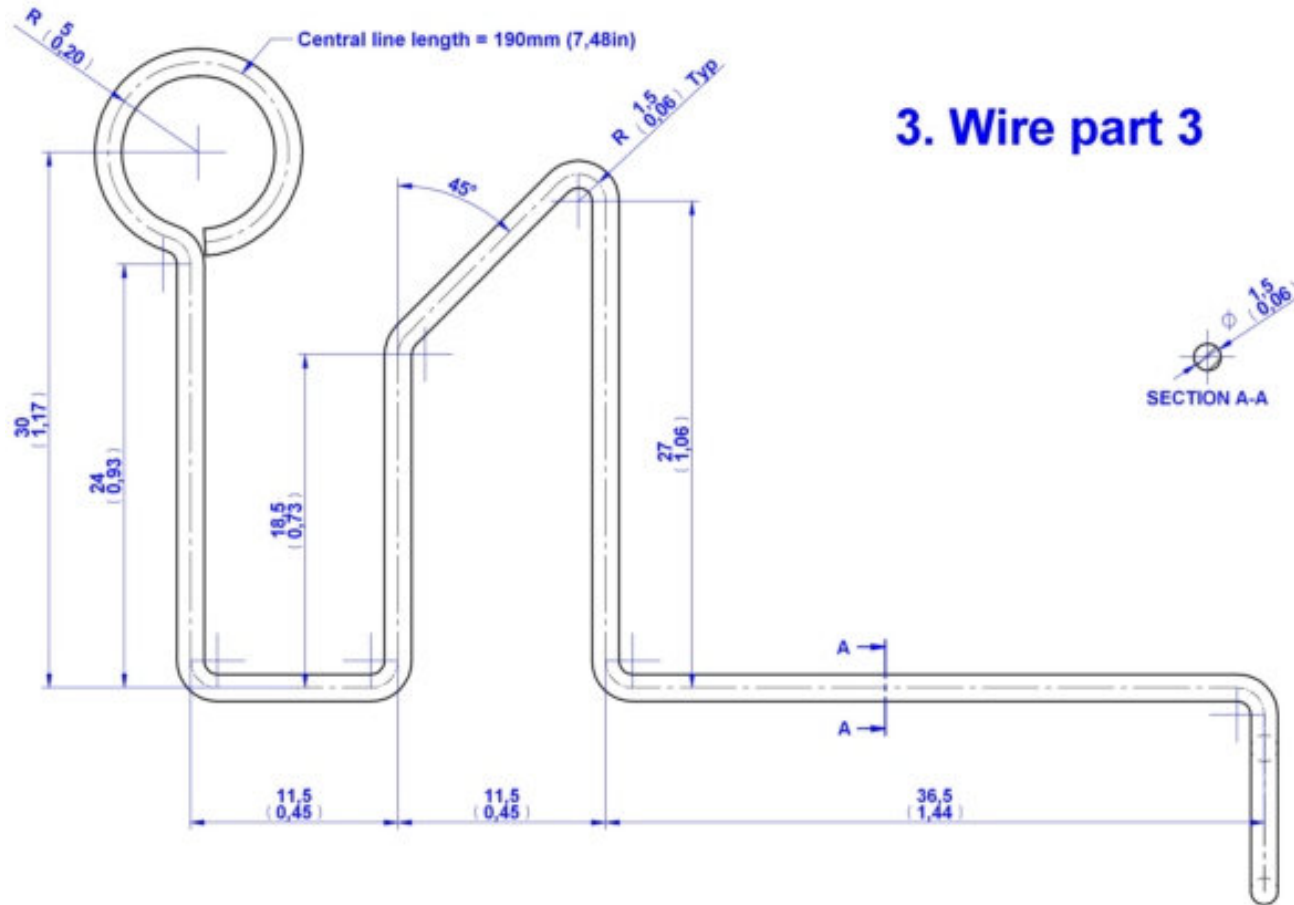


Wire puzzle part 2

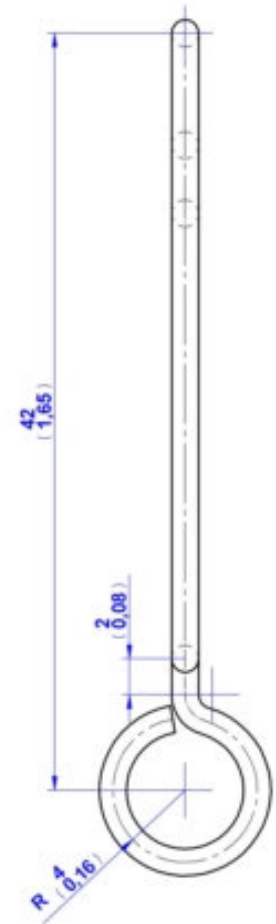


2. Wire Part 2

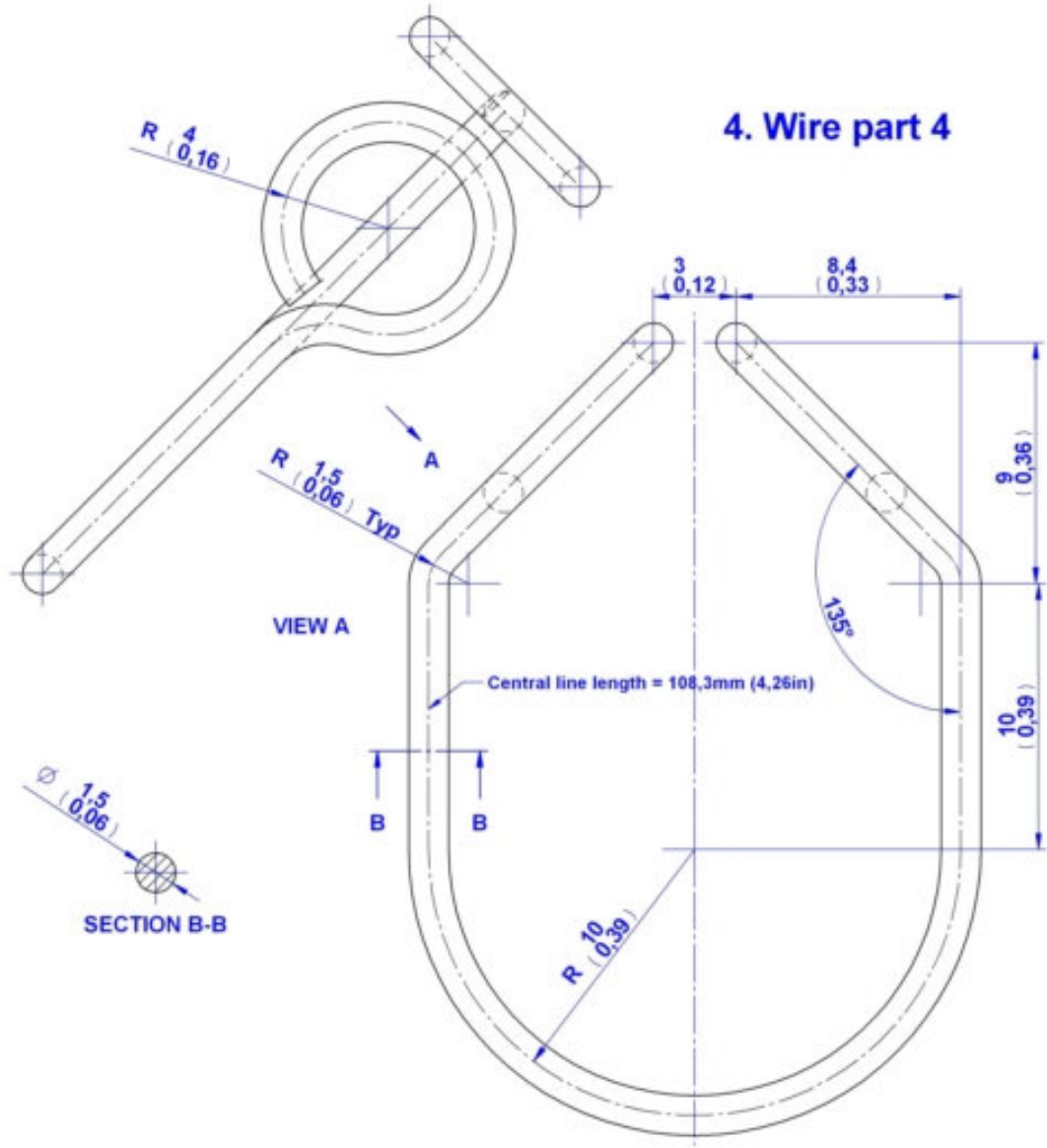
Wire puzzle part 3



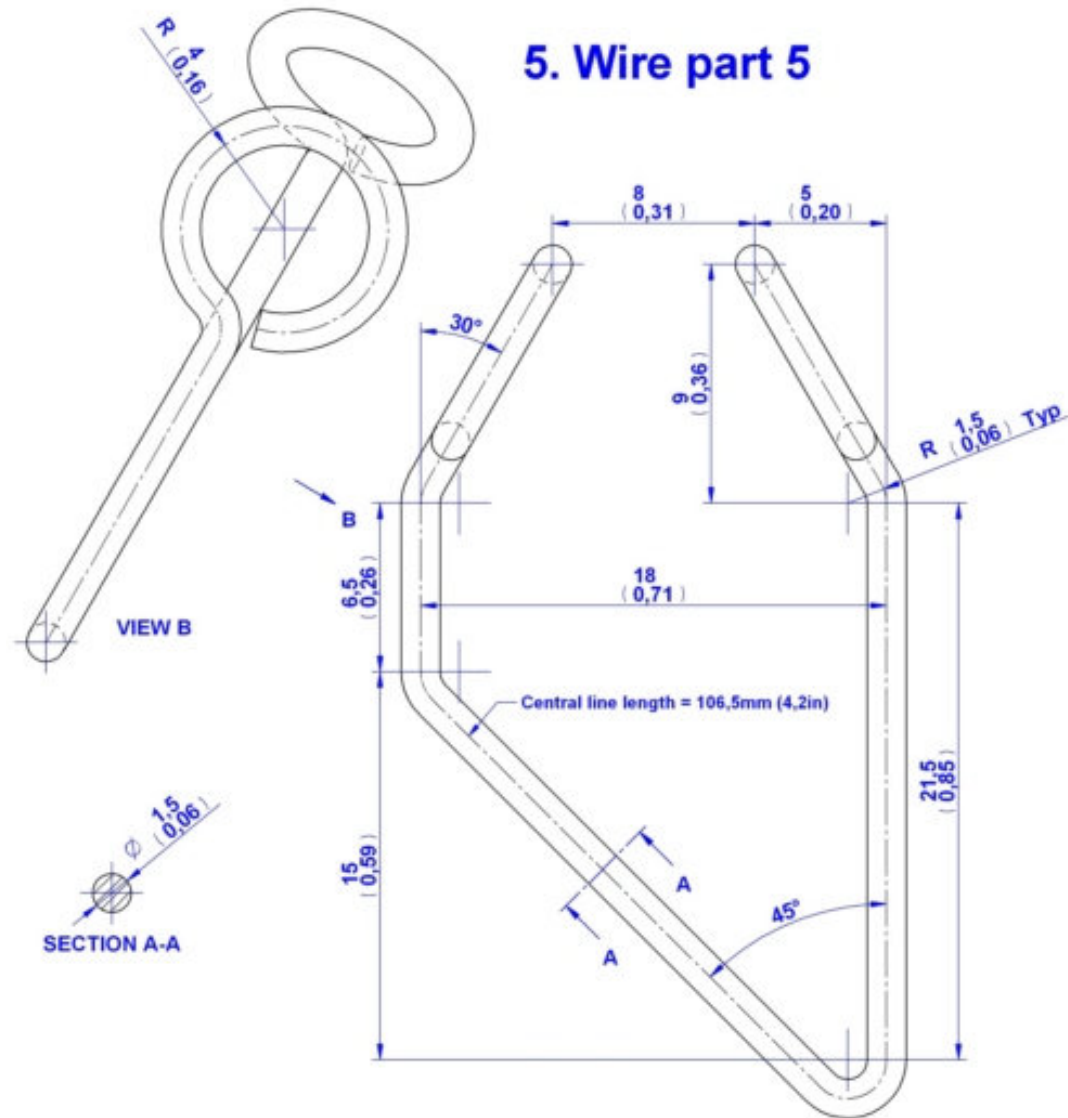
3. Wire part 3



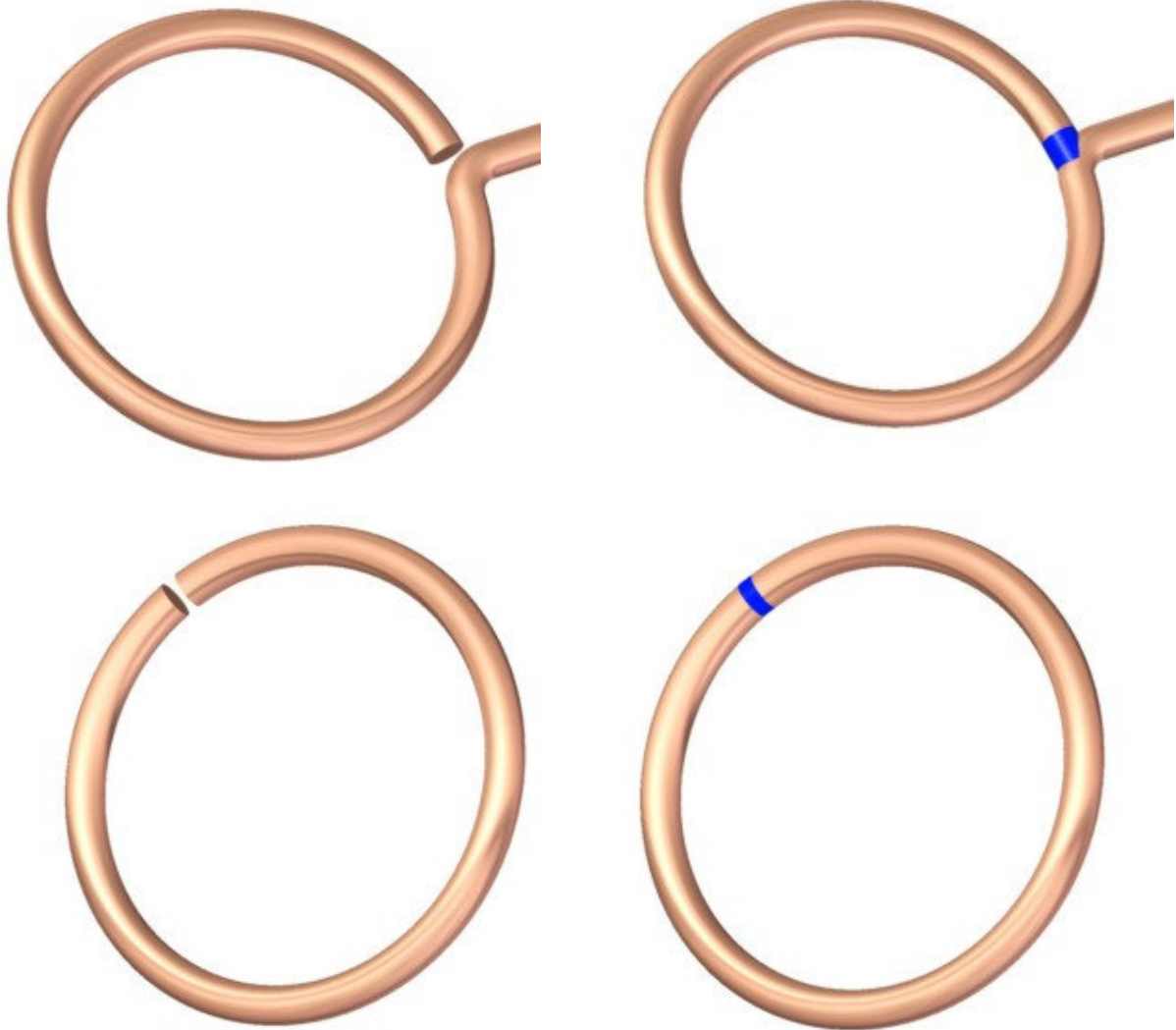
Wire puzzle part 4



Wire puzzle part 5



Twist the parts following the documentation. After you twisted it, you can solder the end of wires, as it is shown on pictures, so it wouldn't deform.



You can use copper or steel wire as a build material. If you choose the copper wire, manufacture will be very easy, but in time some parts will get deformations. So, the best solution is to choose a steel wire, which is not so elastic, but the puzzles will be long lasting.

Solution

